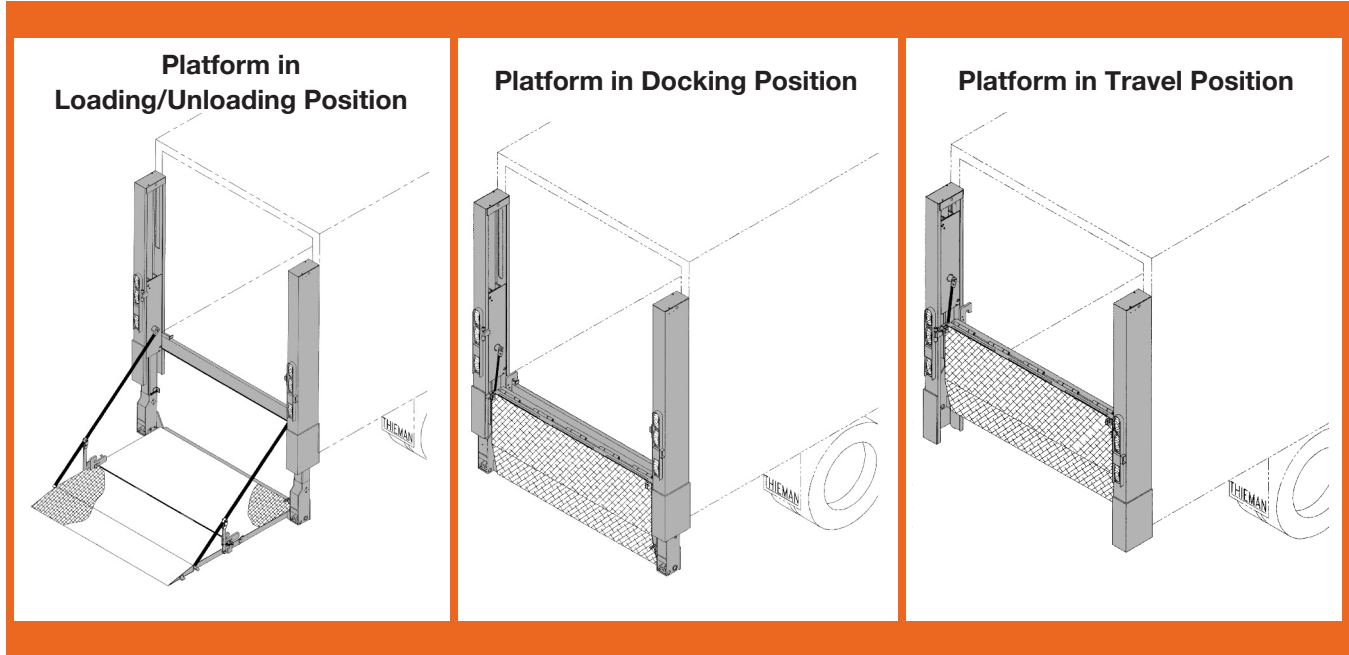


Railgates

Tailgates By **THIEMAN**

Raising Performance to New Levels

MODEL TDR



FEATURING:

- Meets TMC Electrical Guidelines
- Direct Cylinder Lift
- Maintenance-Free Bushings
- Built-In Lights
- Audible Safety Alarm
- Safety Cut-Off Switch
- Power Unit Enclosure
- 4400 to 6600 lb. Capacities
- Dual Closing Cylinders

Designed for palletized, cart, and large cargo handling, the THIEMAN TDR Series has the benefits you need in a fully-hydraulic railgate.

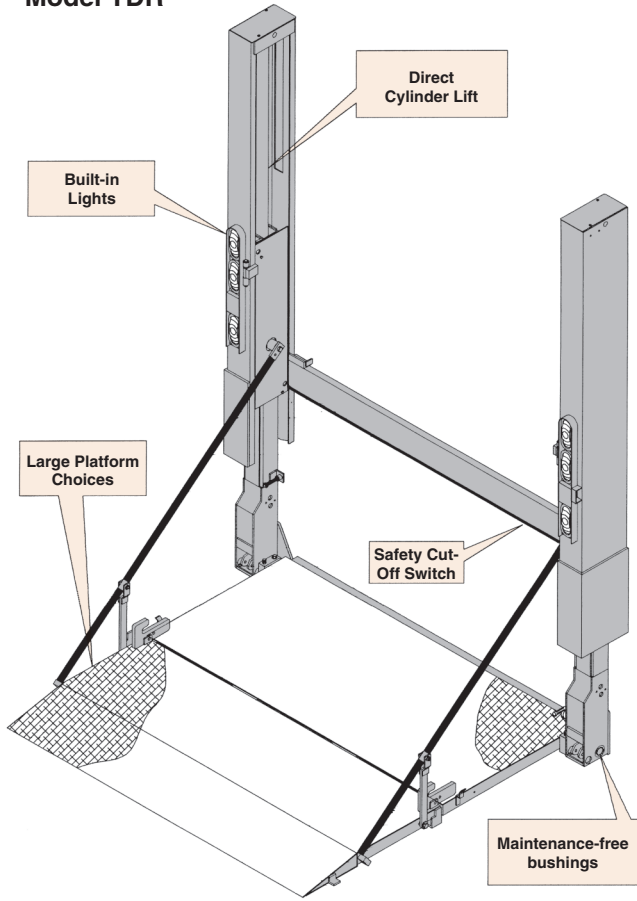
With maintenance being the major concern with today's fleets, the TDR offers you maximum performance and reliability with minimal maintenance.

With its many standard features and available options, the THIEMAN TDR is the #1 choice among the fully-hydraulic railgates.



Features, Benefits and Specifications

Model TDR



STANDARD FEATURES AND BENEFITS:

- Audible safety alarm and safety cut-off switch for added safety
- Gravity lowering platform for reduced stress on power unit
- Rollers and UHMW wear pads in slider for smooth, reliable operation
- Dual cylinder power close for easy operation
- Meets all TMC electrical guidelines for reduced service requirements
- Recessed light package in rail column for protection and visibility
- Teflon composite bushings used with stress-proof pins for virtually maintenance-free operation at major pivot points
- 150 amp circuit breaker for electrical protection
- Weather protective power unit enclosure with slide out tray for easy access to power unit. Enclosure can accommodate two batteries, which are not included

OPTIONS FOR TDR SERIES:

- Aluminum Platforms
- In-Cab Cut Off Switch
- Trailer Kits
- Dock Seal Kit
- Auxiliary Hand Pump
- 102" Wide
- 16" Aluminum Retention Ramp
- Automatic and Foot Activated Cart Stops
- PowerDown
- Bottle Gas Cage

MODEL NO.	PLATFORM	RAMP	LOAD CAPACITY	INSTALL WEIGHT	BED HEIGHT RANGE	OVERALL WIDTH
TDR-44	80" X 62"	15"	4400 lb.	2340 lb.	40" to 60"	96"
TDR-44	80" X 74"	15"	4400 lb.	2370 lb.	40" to 60"	96"
TDR-44	80" X 86"	None	4400 lb.	2400 lb.	40" to 60"	96"
TDR-55	80" X 62"	15"	5500 lb.	2385 lb.	40" to 60"	96"
TDR-55	80" X 74"	15"	5500 lb.	2415 lb.	40" to 60"	96"
TDR-55	80" X 86"	None	5500 lb.	2445 lb.	40" to 60"	96"
TDR-66	80" X 62"	15"	6600 lb.	2430 lb.	40" to 60"	96"
TDR-66	80" X 74"	15"	6600 lb.	2460 lb.	40" to 60"	96"
TDR-66	80" X 86"	None	6600 lb.	2490 lb.	40" to 60"	96"

NOTE: Minimum bed height requirements for dock loading: 40" for 62" depth platforms, 45" for 74" and 86" depth platforms. All platforms listed above are two-piece folding.

NOTE: Lower bed heights are possible depending on allowable ground clearance.

Distributed By:

THIEMAN
TAILGATES INC.
Raising Performance to New Levels

600 East Wayne Street
Celina, Ohio 45822
Phone: 419-586-7727 or
800-524-5210
Fax: 419-586-9724
www.thieman.com
info@thiemantailgates.com