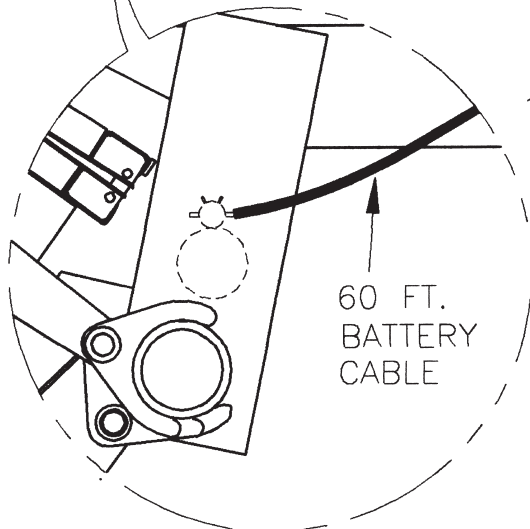
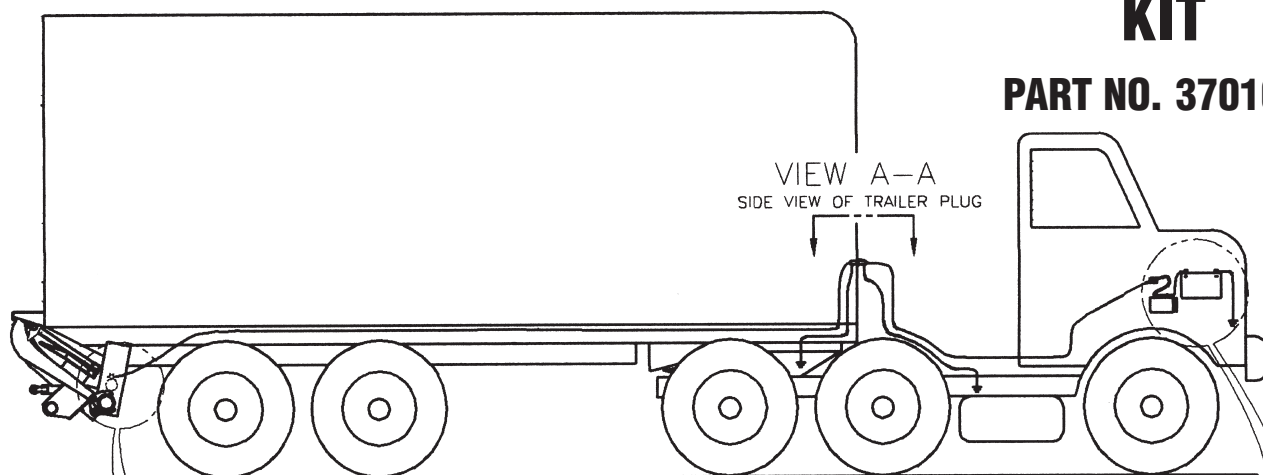


# HIEMAN TAILGATES, INC.

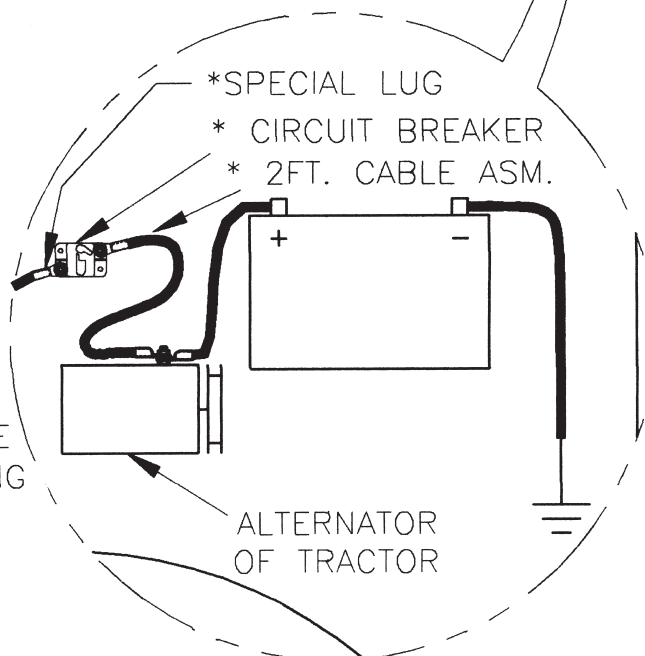
## 107 KIT TRAILER WIRING KIT

PART NO. 3701010



1. ROUTE POWER UNIT BATTERY CABLE TO THE TRAILER PLUG ON TRAILER.

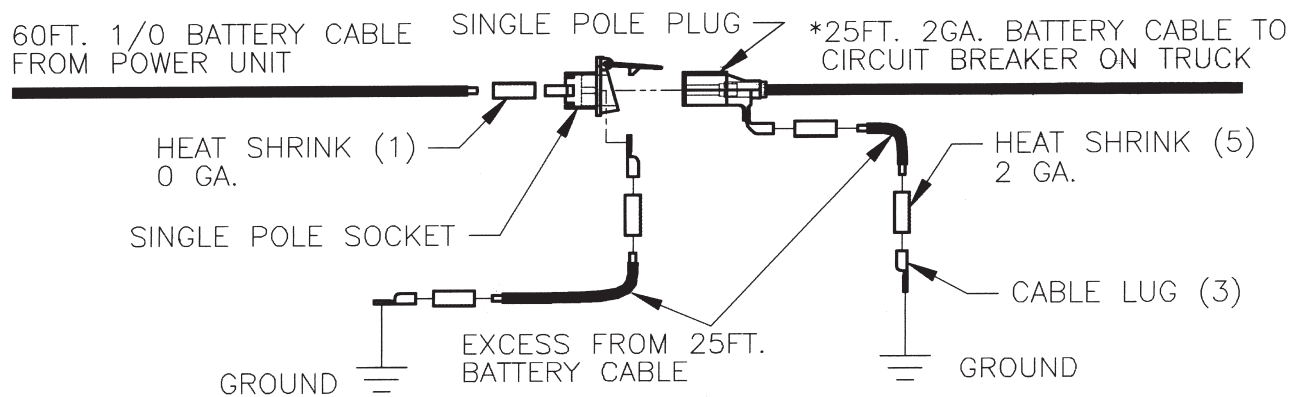
2. MOUNT CIRCUIT BREAKER WITHIN 2FT. OF TRACTOR ALTERNATOR AND CONNECT ONE TERMINAL OF THE BREAKER TO THE BATTERY TERMINAL OF ALTERNATOR USING THE 2FT. CABLE ASM. AS SHOWN.



\*DENOTES PARTS WHICH ARE INCLUDED IN THE STANDARD INSTALLATION KITS AND NOT THE 107 KIT.

600 East Wayne Street Celina, Ohio 45822 Phone: 419-586-7727 Fax: 419-586-9724

(VIEW A-A)



3. MAKE ALL CONNECTIONS IN VIEW A-A USING HEAT SHRINK AS SHOWN. SEE ENCLOSED ASSEMBLY INSTRUCTIONS FOR THE SINGLE POLE PLUG AND SOCKET.
4. CUT CABLES AS NECESSARY AND SUPPORT ALL CABLES EVERY 2FT. USING CABLE RETAINERS PROVIDED.

\*DENOTES PARTS WHICH ARE INCLUDED IN THE STANDARD INSTALLATION KITS AND NOT THE 107 KIT.