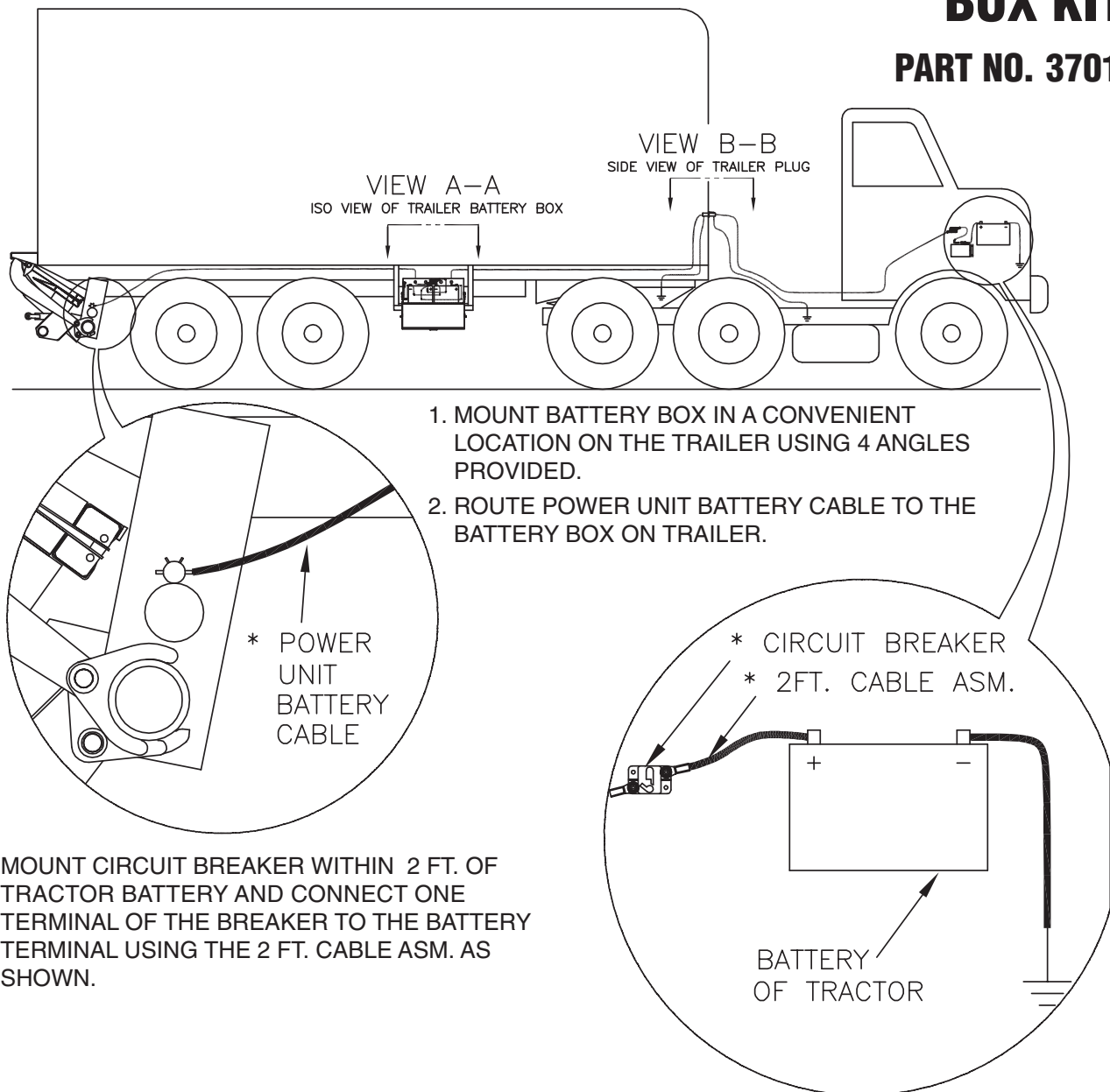
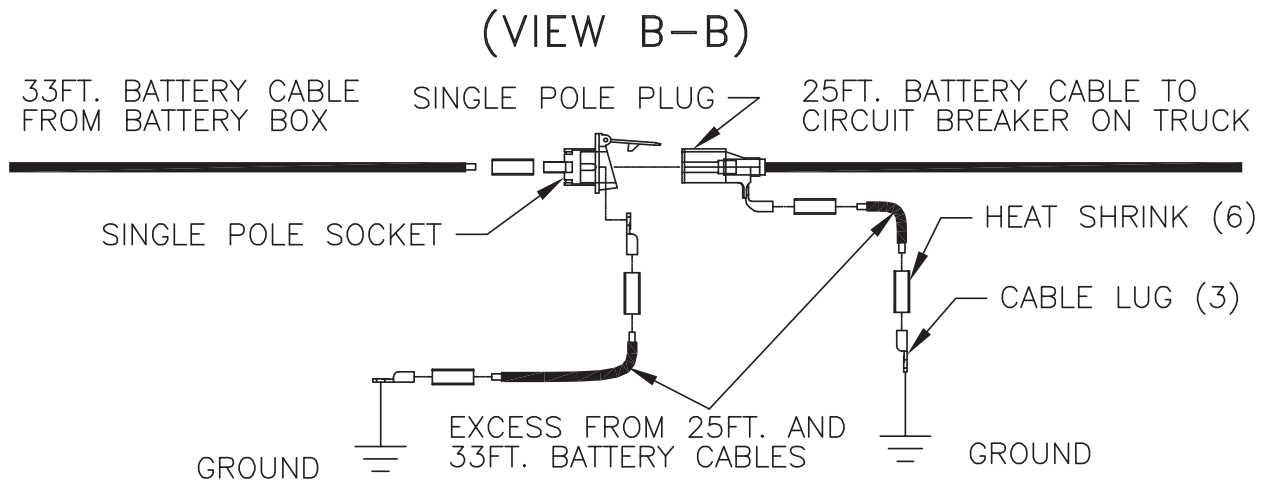
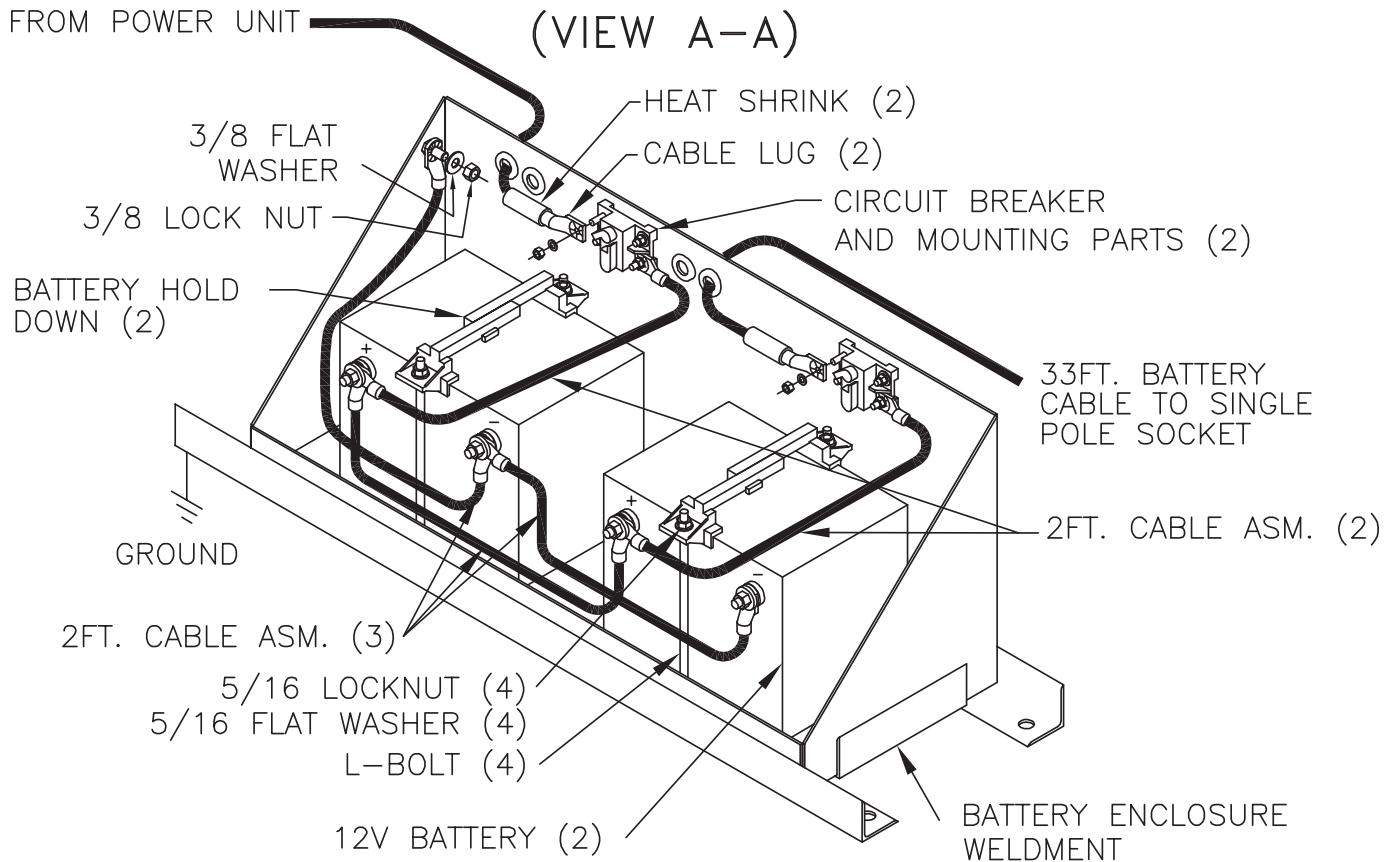


142 KIT
TRAILER BATTERY
BOX KIT

PART NO. 3701030





4. MAKE ALL CONNECTIONS IN VIEW A-A AND VIEW B-B USING HEAT SHRINK AS SHOWN. SEE ENCLOSED ASSEMBLY INSTRUCTIONS FOR THE SINGLE POLE PLUG AND SOCKET.
5. CUT CABLES AS NECESSARY AND SUPPORT ALL CABLES EVERY 2 FT. USING CABLE RETAINERS PROVIDED.
6. BATTERY BOX WIRING SHOWN IS FOR TWO 12V BATTERIES. (BATTERIES MUST BE CLASSIFIED AS SAE NO. 20H-285 TO 60-360). BATTERIES OF DIFFERENT SIZE AND VOLTAGE MAY NOT WORK WITH THIS KIT.
7. MAXIMUM SIZE OF EACH BATTERY IS 14.25L X 6.84W X 9.75H.