

HIEMAN
TAILGATES, INC.

148 KIT

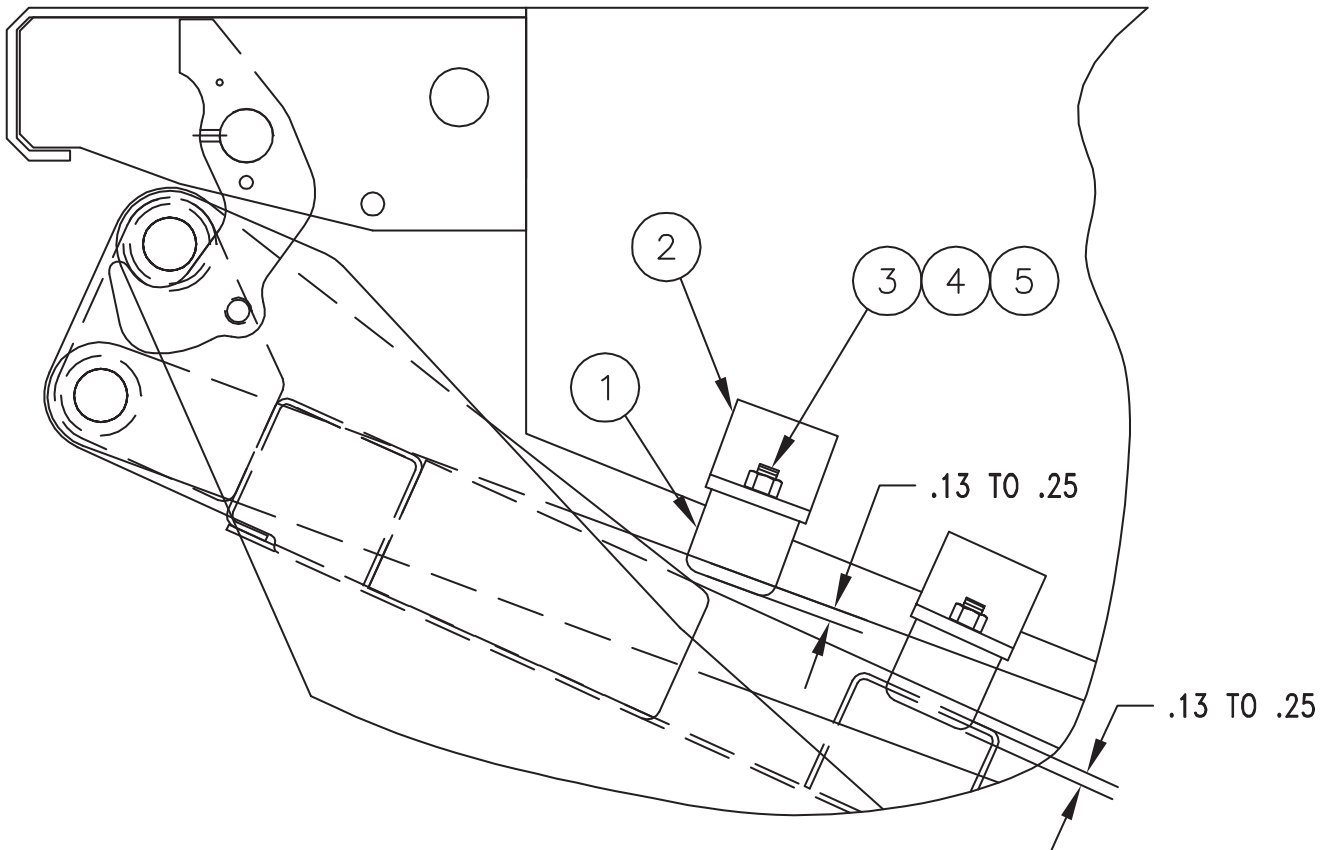
**PLATFORM
SNUBBER**

ST20/25/30

PART NO. 3735110

KIT INCLUDES:

<u>ITEM NO.</u>	<u>PART NO.</u>	<u>DESCRIPTION</u>	<u>QTY</u>
1	5702290	SNUBBER	3
2	2019033	MOUNTING ANGLE	5
3	9413447	NUT .313-18	3
4	8120386	FLATWASHER .31	6
5	8180091	SCREW .313-18X2.50	3



NOTES:

1. MOUNT ONE SNUBBER AGAINST PLATFORM AS SHOWN; MOUNT AS CLOSE TO CENTER OF PLATFORM (LEFT TO RIGHT) AS PRACTICAL.
2. MOUNT TWO SNUBBERS AS SHOWN (1-R.H., 1-L.H.) SO THEY BEAR DOWN ON IDLER ARMS.
3. BE CERTAIN FOLDING GATE CLEARS ALL SNUBBERS (WHEN VEHICLE IS LOADED) BEFORE WELDING IS FINALIZED.
4. INSTALLATION SHOWN IS FOR MINIMUM BED HEIGHT. AS BED HEIGHT INCREASES, SNUBBER ON IDLER ARM MUST BE LOCATED FURTHER FORWARD IF CROSS MEMBERS DO NOT EXIST IN A SUITABLE LOCATION, INSTALLER MAY NEED TO PROVIDE ADDITIONAL FRAMING.



600 East Wayne Street Celina, Ohio 45822 Phone: 419-586-7727 Fax: 419-586-9724

Rev. 4/11 • 5C • MP72320