

## KIT INCLUDES:

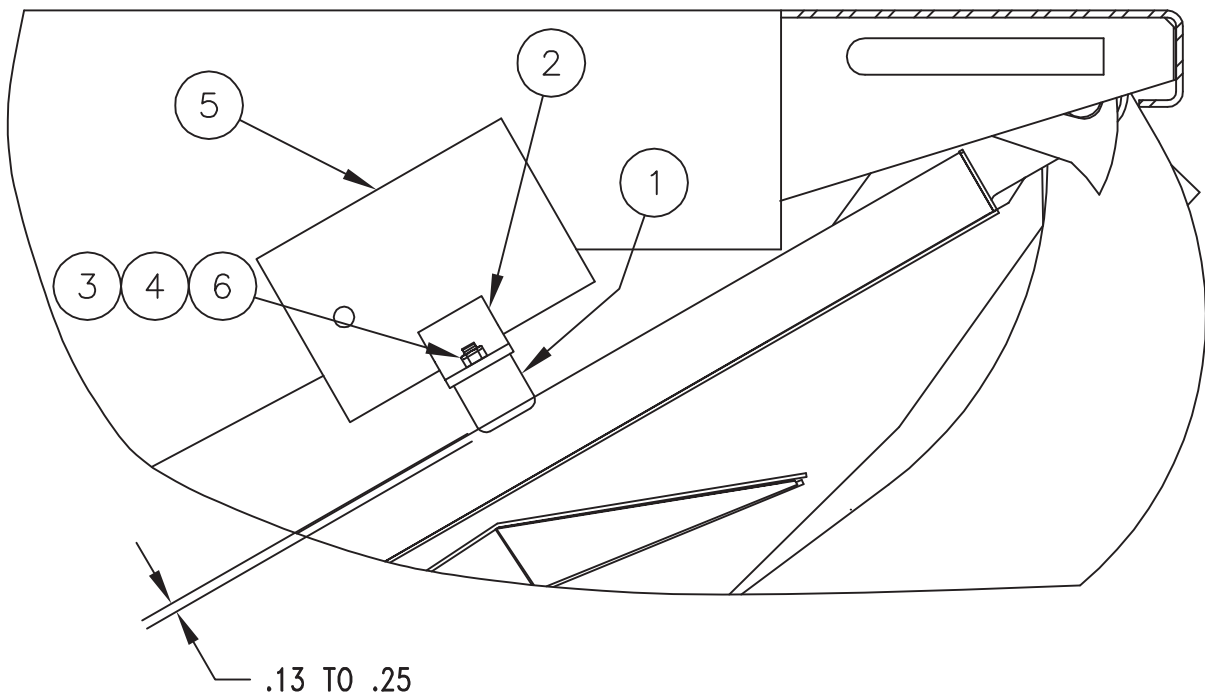
ITEM NO.	PART NO.	DESCRIPTION	QTY.
1	5702290	SNUBBER	2
2	2019033	MOUNTING ANGLE	2
3	9413447	LOCKNUT .31-18	2
4	8120386	FLAT WASHER .31	4
5	23049-001	BASE PLATE	2
6	8180091	SCREW .31-18	2

**HIEMAN**  
TAILGATES, INC.

# KIT 172

## PLATFORM SNUBBER

LST, M  
PART NO. 3735330



### NOTES:

1. ONE MOUNTING BRACKET IS INCLUDED. SHOULD A VEHICLE HAVE A HIGH BED HEIGHT AND NARROW FRAME MEMBERS, IT MAY BE NECESSARY FOR THE INSTALLER TO PROVIDE A LONGER MOUNTING BRACKET.
2. MOUNT SNUBBER AGAINST PLATFORM AS SHOWN.



600 East Wayne Street Celina, Ohio 45822 Phone: 419-586-7727 Fax: 419-586-9724