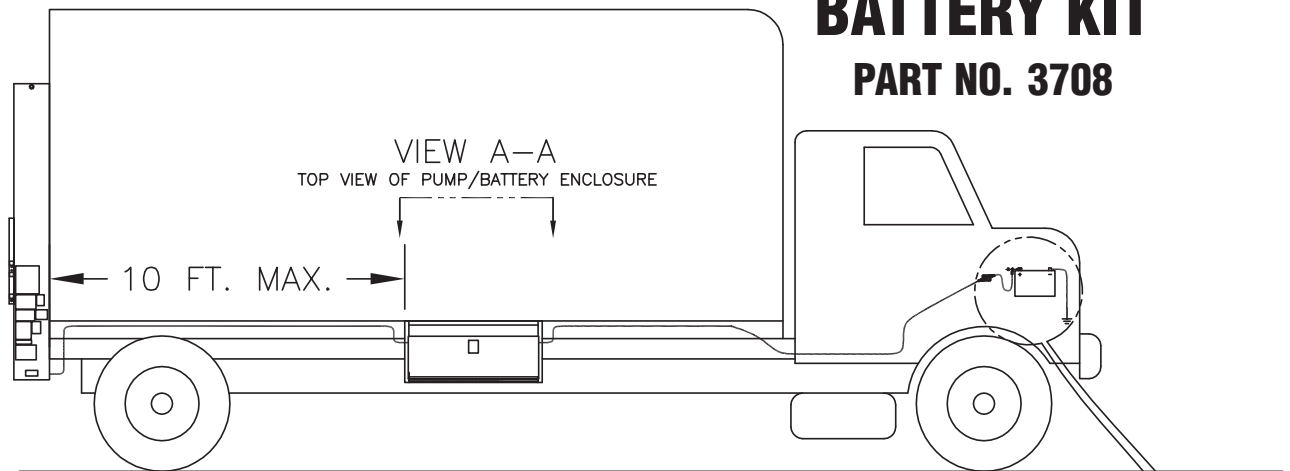


## 208 KIT

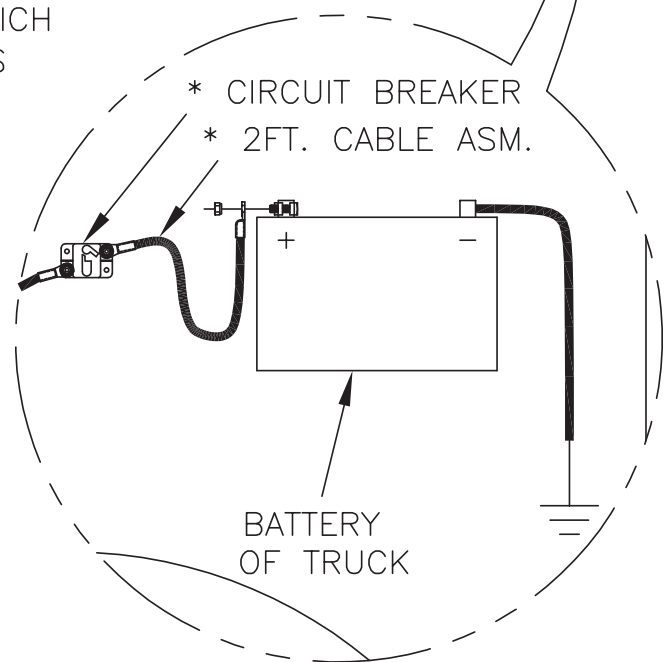
### TDR TRUCK

### BATTERY KIT

PART NO. 3708

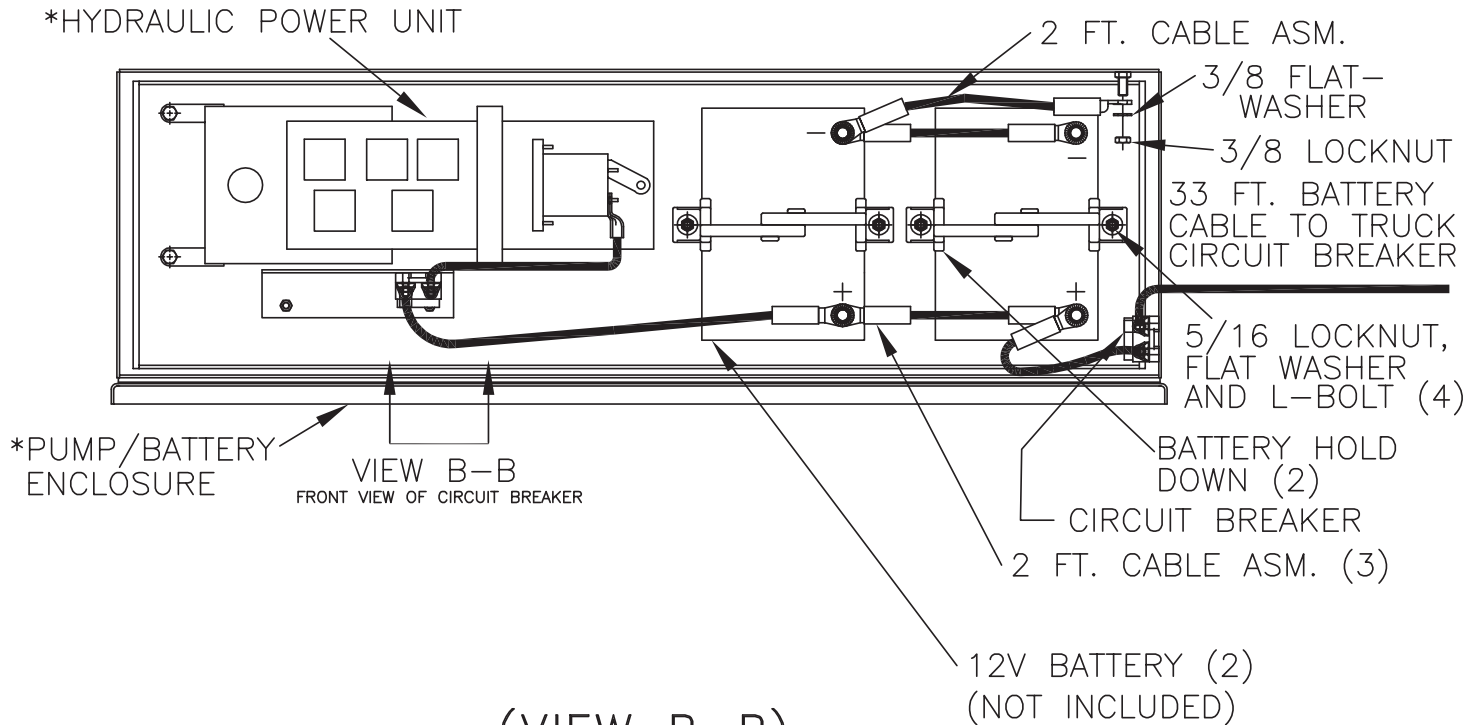


1. MOUNT PUMP/BATTERY ENCLOSURE AND MAKE ALL HYDRAULIC AND ELECTRICAL CONNECTIONS BETWEEN THE LIFTGATE AND THE ENCLOSURE ACCORDING TO THE STANDARD LIFTGATE INSTALLATION INSTRUCTIONS.
2. ALSO CONNECT THE CIRCUIT BREAKER WHICH CAME WITH THE LIFTGATE TO THE TRUCK'S BATTERY ACCORDING TO THE STANDARD INSTALLATION INSTRUCTIONS USING THE 2 FT. CABLE ASM. SUPPLIED WITH THE STANDARD INSTALLATION KIT.

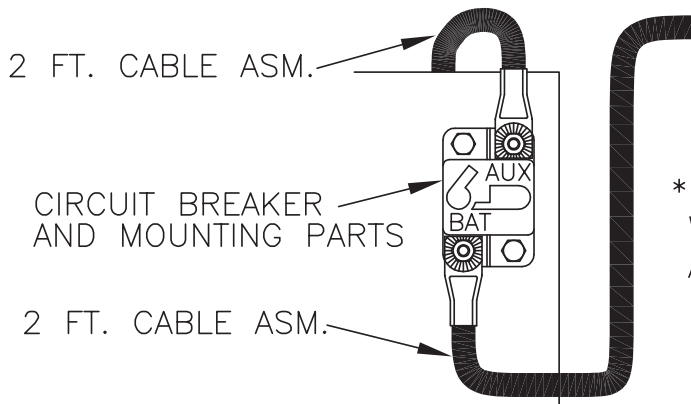


\*DENOTES PARTS WHICH ARE INCLUDED WITH THE STANDARD TDR LIFTGATE AND NOT THE 208 KIT.

(VIEW A-A)



(VIEW B-B)



\*DENOTES PARTS WHICH ARE INCLUDED WITH THE STANDARD TDR LIFTGATE AND NOT THE 208 KIT.

3. MAKE ALL CONNECTIONS IN VIEW A-A AND VIEW B-B AS SHOWN.
4. CUT CABLES AS NECESSARY AND SUPPORT ALL CABLES EVERY 2FT. USING CABLE RETAINERS PROVIDED.
5. BATTERY WIRING SHOWN IS FOR TWO 12V BATTERIES. (BATTERIES MUST BE CLASSIFIED AS SAE NO. 20H-285 TO 24R-350). BATTERIES OF DIFFERENT SIZE AND VOLTAGE MAY NOT WORK WITH THIS KIT.