

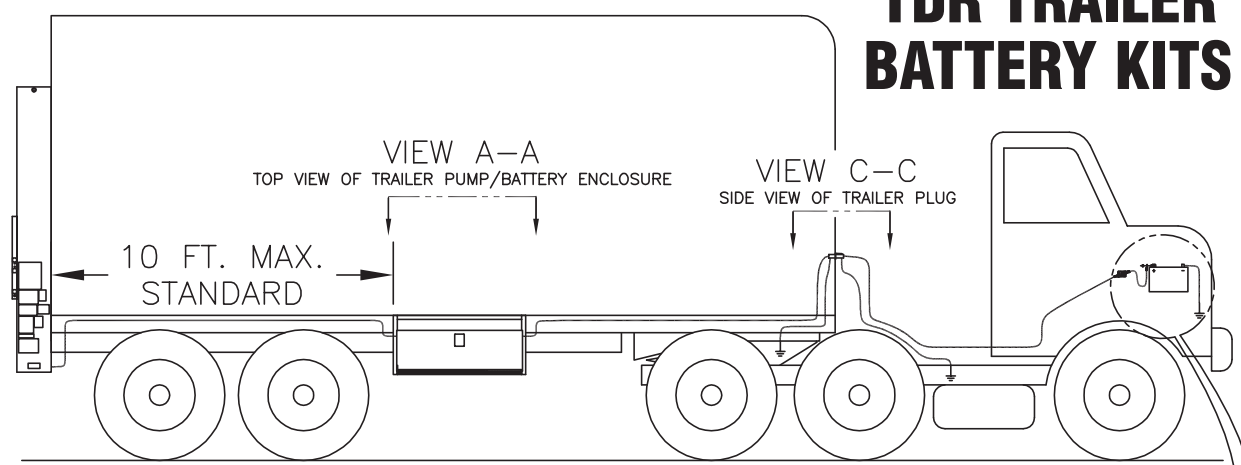
HIEMAN TAILGATES, INC.

209/210 KITS

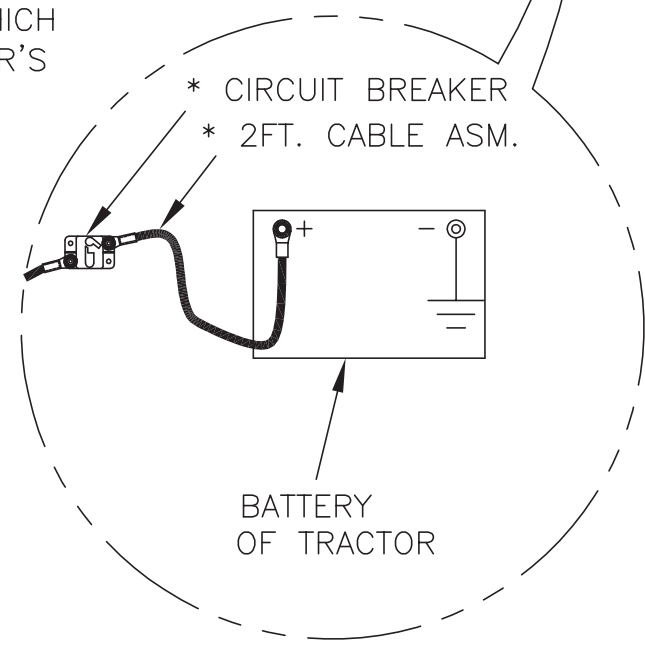
TDR TRAILER BATTERY KITS

KIT 209—PART NUMBER 3709
TDR TRAILER BATTERY KIT—INCLUDES TRAILER PLUG AND BATTERY HOLD DOWN PARTS.

KIT 210—PART NUMBER 3711
TDR RELOCATION KIT ET—INCLUDES PARTS IN 209 KIT, EXTENSION HOSES AND HARNESS FOR
TOGGLE CONTROL WITH POWER UNIT MOUNTED A MAXIMUM OF 25 FT AWAY.



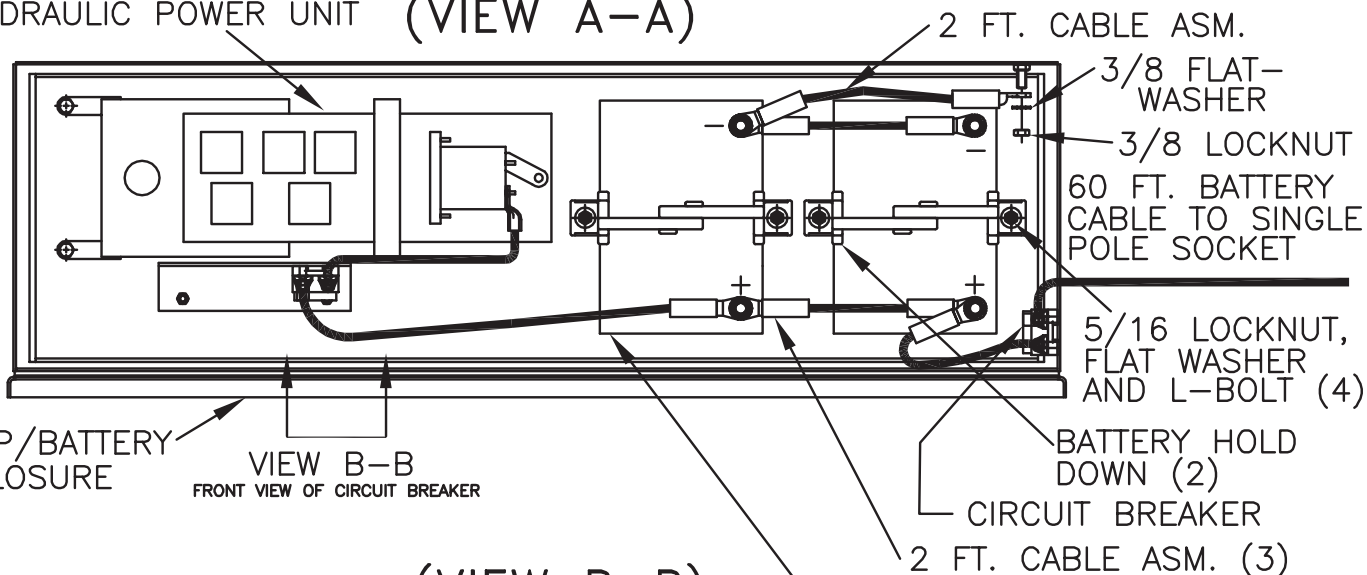
1. MOUNT PUMP/BATTERY ENCLOSURE AND MAKE ALL HYDRAULIC AND ELECTRICAL CONNECTIONS BETWEEN THE LIFTGATE AND THE ENCLOSURE ACCORDING TO THE STANDARD LIFTGATE INSTALLATION INSTRUCTIONS.
2. ALSO CONNECT THE CIRCUIT BREAKER WHICH CAME WITH THE LIFTGATE TO THE TRACTOR'S BATTERY ACCORDING TO THE STANDARD INSTALLATION INSTRUCTIONS USING THE 2 FT. CABLE ASM. SUPPLIED WITH THE STANDARD INSTALLATION KIT.



*DENOTES PARTS WHICH ARE INCLUDED WITH THE STANDARD TDR LIFTGATE AND NOT THE 209 KIT.



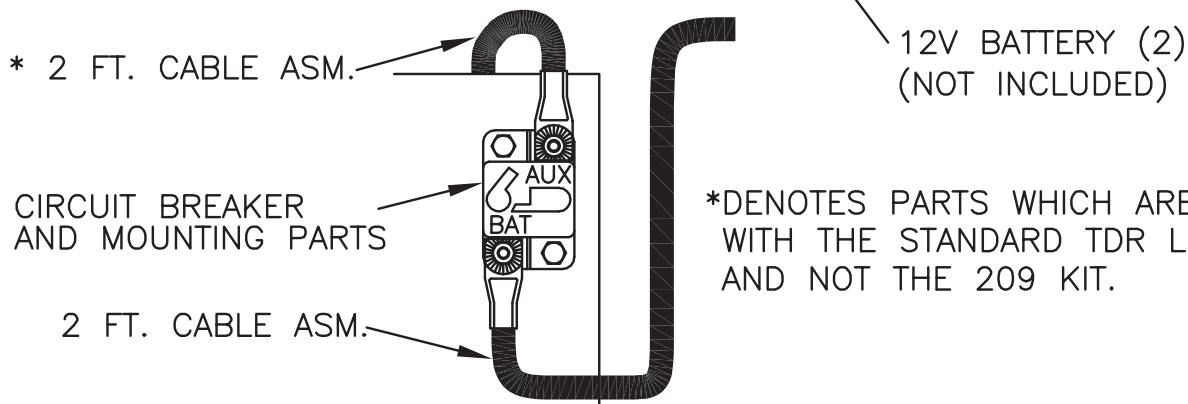
*HYDRAULIC POWER UNIT (VIEW A-A)



*PUMP/BATTERY ENCLOSURE

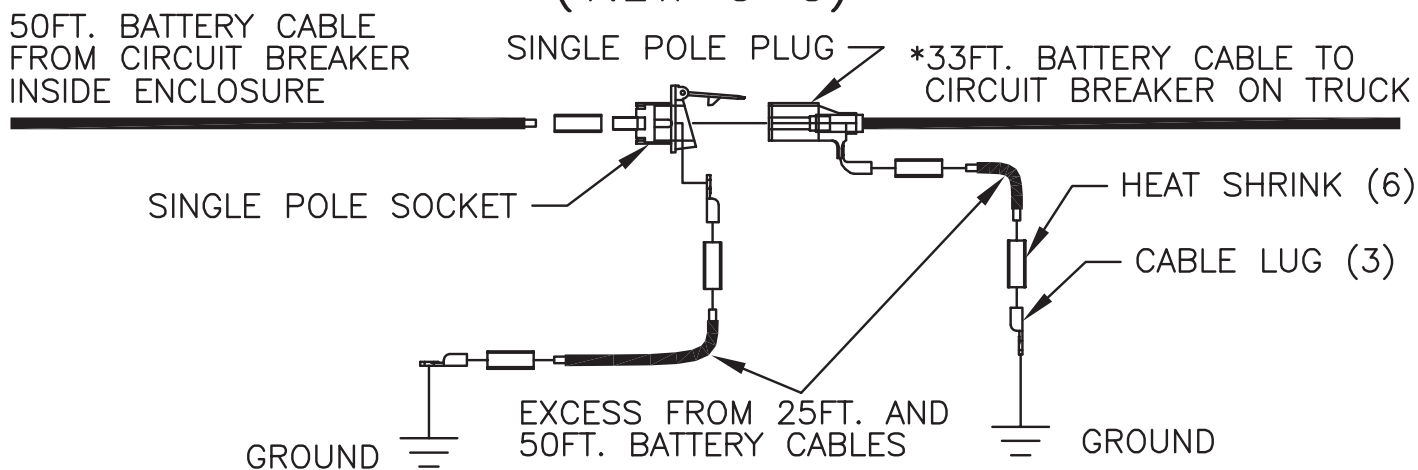
VIEW B-B
FRONT VIEW OF CIRCUIT BREAKER

(VIEW B-B)



*DENOTES PARTS WHICH ARE INCLUDED WITH THE STANDARD TDR LIFTGATE AND NOT THE 209 KIT.

(VIEW C-C)



3. MAKE ALL CONNECTIONS IN VIEW A-A, VIEW B-B, AND VIEW C-C AS SHOWN. SEE ENCLOSED ASSEMBLY INSTRUCTIONS FOR THE SINGLE POLE PLUG AND SOCKET.
4. CUT CABLES AS NECESSARY AND SUPPORT ALL CABLES EVERY 2FT. USING CABLE RETAINERS PROVIDED.
5. BATTERY WIRING SHOWN IS FOR TWO 12V BATTERIES. (BATTERIES MUST BE CLASSIFIED AS SAE 20 TO 24 SERIES). BATTERIES OF DIFFERENT SIZE AND VOLTAGE MAY NOT WORK WITH THIS KIT.