

KIT INCLUDES:

ITEM NO.	PART NO.	DESCRIPTION	QTY.
1	31458	HITCH BRACKET	1
2	8271291	ZERK	4
3	2171	IDLER BLOCK	2
4	4683	RECEIVER LATCH DECAL	1

- NOTES: 1. FOR M GATES AT 42.00(MIN. LOADED) TO 54.00(MAX. UNLOADED) INCH BED HEIGHTS.
 2. THIS KIT WILL ONLY WORK ON LIFTGATES THAT HAVE BEEN INSTALLED ACCORDING TO THE INSTALLATION INSTRUCTIONS FOR THE LIFTGATE.
 3. RATINGS: 10,000LBS MAX PULL WEIGHT
 2,000LBS MAX TONGUE WEIGHT

THIEMAN

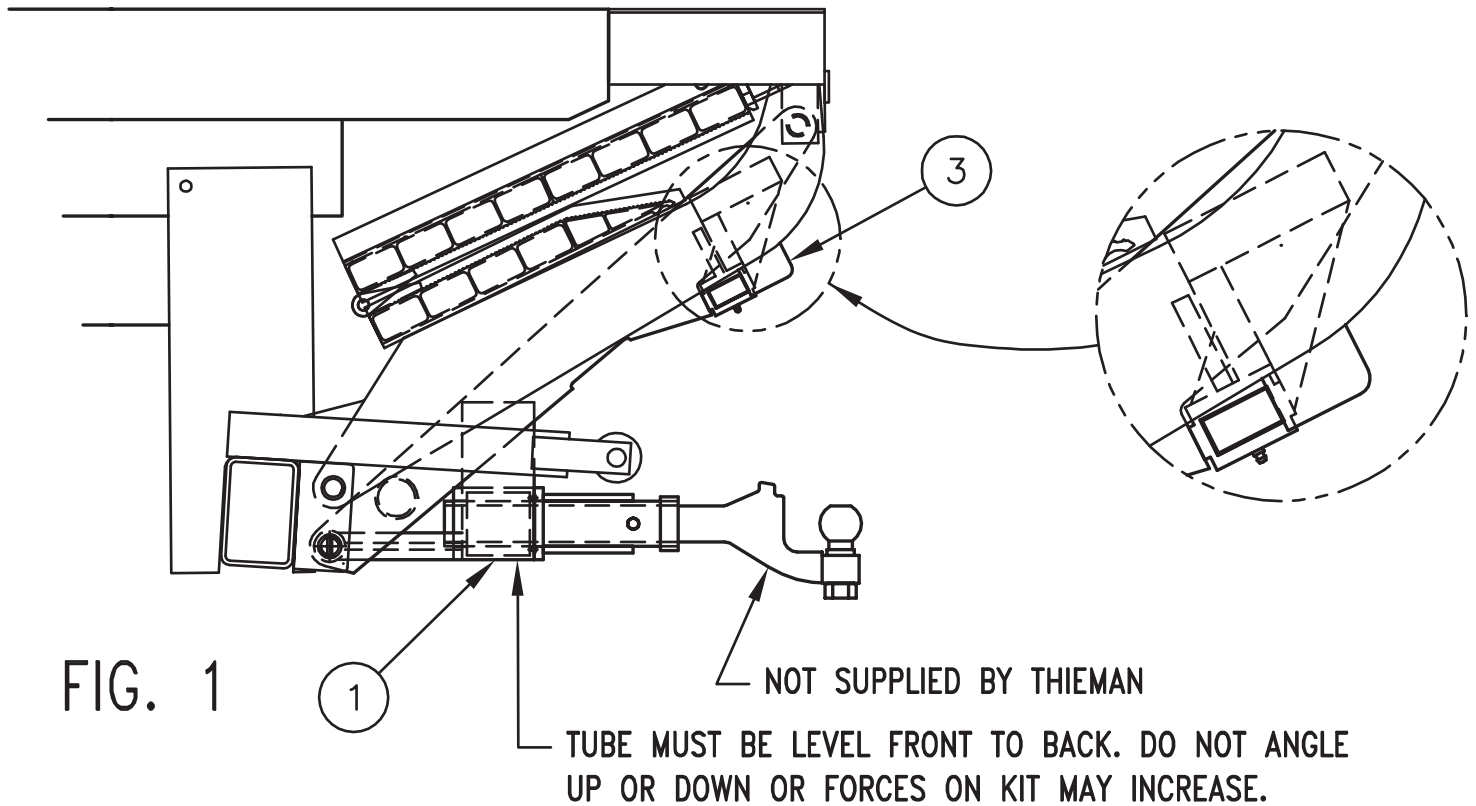
TAILGATES, INC.

KIT 216

RECEIVER HITCH BRACKET

M20/25/30 ONLY
PART NO. 3718

CONFORMS TO SAE J684, J847



INSTALLATION: SEE REVERSE SIDE FOR INSTRUCTIONS.



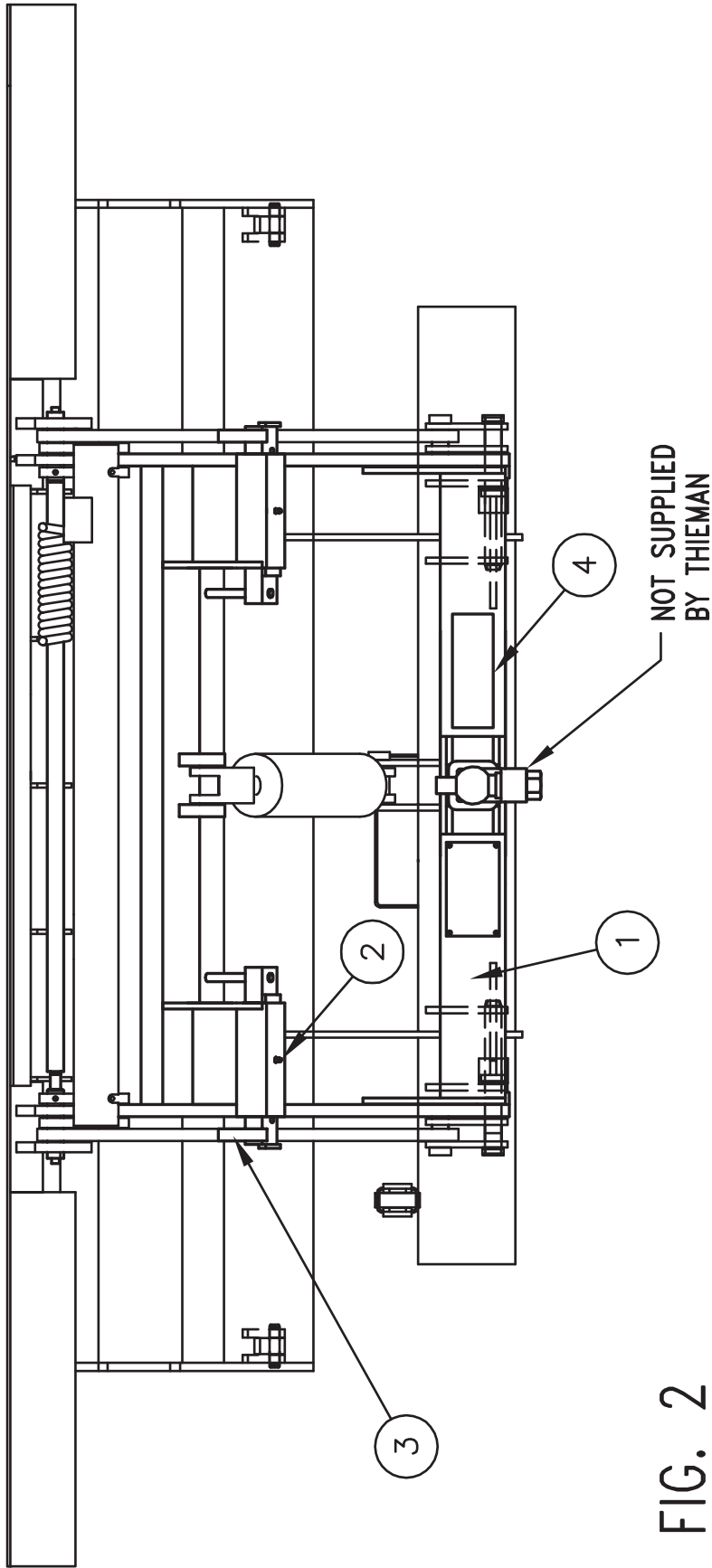


FIG. 2

1. FOLD PLATFORM AND RAISE INTO STORED POSITION. LOWER INTO LATCH. ROTATE PINTLE BRACKET UNTIL TOP OF TUBE IS LEVEL. WELD THE SIDE PLATES OF PINTLE BRACKET TO LIFT ARM SIDE PLATES ALL AROUND WITH .25 WELDS.
2. RAISE LIFTGATE OUT OF THE SPACER LATCH TO ITS HIGHEST POINT. PLACE IDLER BLOCKS (ITEM 3) AGAINST IDLER ARM AND SLIDE LATCH. SEE FIGURE 1. TACK WELD INTO PLACE.(NOTE:LATCH MUST SLIDE FREELY PAST IDLER BLOCK.) REPEAT PROCEDURE FOR THE OTHER SIDE. CHECK LATCHES FOR PROPER OPERATION AND WELD IDLER BLOCKS ALL AROUND WITH .25 WELDS.
3. INSTALL ZERKS IN LATCHES AND GREASE.
4. APPLY RECEIVER LATCH DECAL (ITEM 4) IN LOCATION SHOWN.