

FOR ST 22, 31, 40 LIFTGATES ONLY
AT 48.00 TO 56.00 INCH BED HEIGHTS.

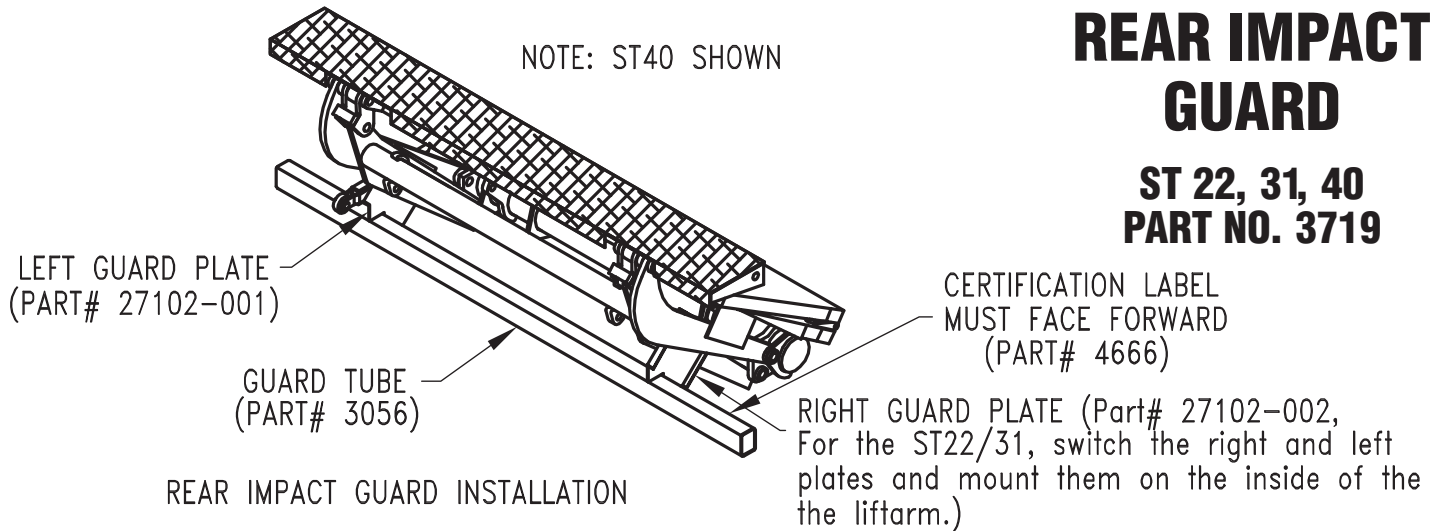
THIS GUARD CONFORMS TO DOT STANDARDS:
FMVSS STANDARD NO. 223, REAR IMPACT
GUARDS (571.223).



KIT 218

REAR IMPACT GUARD

ST 22, 31, 40
PART NO. 3719



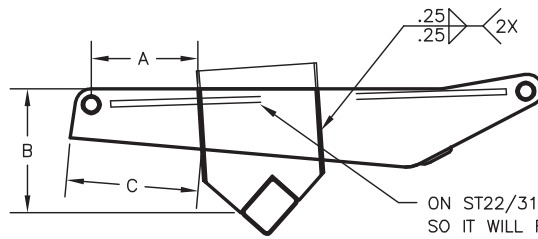
- STEP 1. After liftgate is mounted and is fully operational, tack weld the guard plates to the liftarm side plates using the proper dimensions in the chart below. The guard plates are to be mounted on the inside of the ST22/31 liftarm and on the outside of the ST40 liftarm as shown above. The left guard plate on the ST40 becomes the right guard plate on the ST22/31, and the right becomes the left. On the ST22/31 liftarm, the guard plates need to be trimmed to fit under the reinforcement bar as shown in Figure A.
- STEP 2. Position the guard tube as shown in figure A and tack weld in place. The certification label must face forward on the right hand side.
- STEP 3. Operate liftgate fully through all possible positions to make sure operation is not affected by guard mounting and make sure guard tube does not interfere with the kicker or dock bumpers.
- STEP 4. Check to make sure a portion of the guard tube is within the rectangular boundary as shown in Figure B.
- STEP 5. If no interference problems are encountered, weld the guard plates to the liftarm and guard tube as shown in Figure A.
- STEP 6. After painting is complete, apply conspicuity tape as shown in Figure A.

BED HEIGHT	A	B	C
48.00-48.99	8.88	10.31	11.00
49.00-53.99	8.07	11.36	10.21
54.00-56.00	6.00	12.00	7.82



600 East Wayne Street Celina, Ohio 45822 Phone: 419-586-7727 Fax: 419-586-9724

STREET SIDE VIEW



ON ST22/31, TRIM THE GUARD PLATE SO IT WILL FIT BELOW THIS REINFORCEMENT BAR.

REAR VIEW

(NOTE: ST40 SHOWN BELOW. ON ST22/31'S MOUNT THE GUARD PLATES ON THE INSIDE OF LIFTARM)

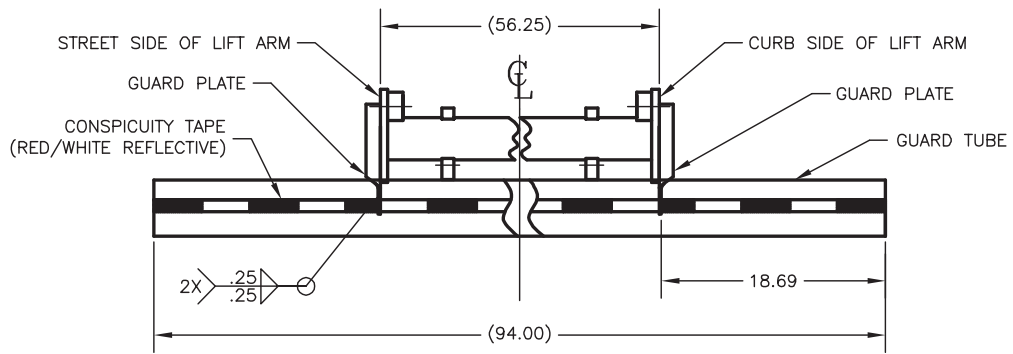


FIG. A

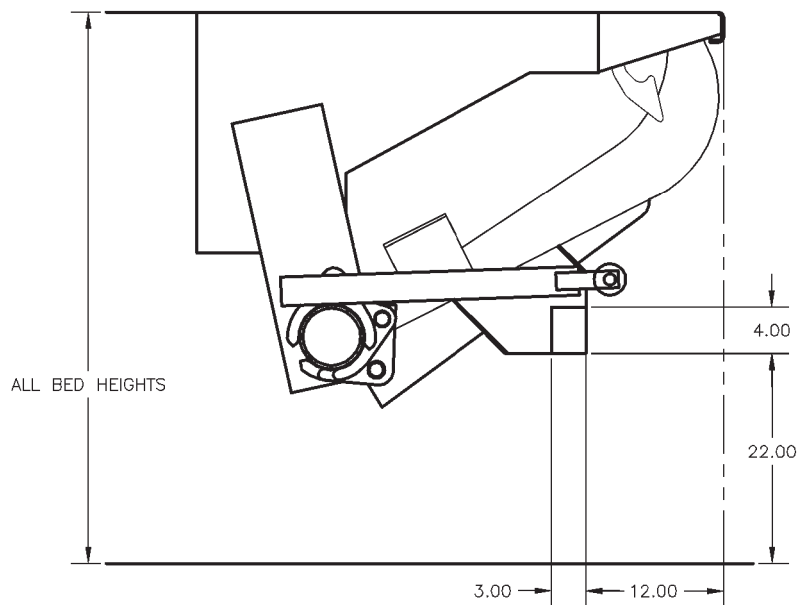


FIG. B