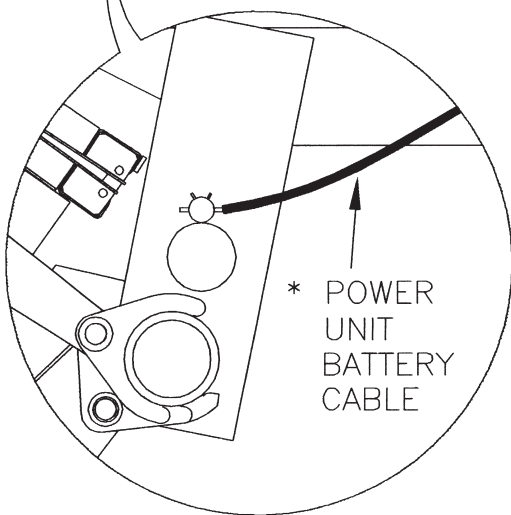
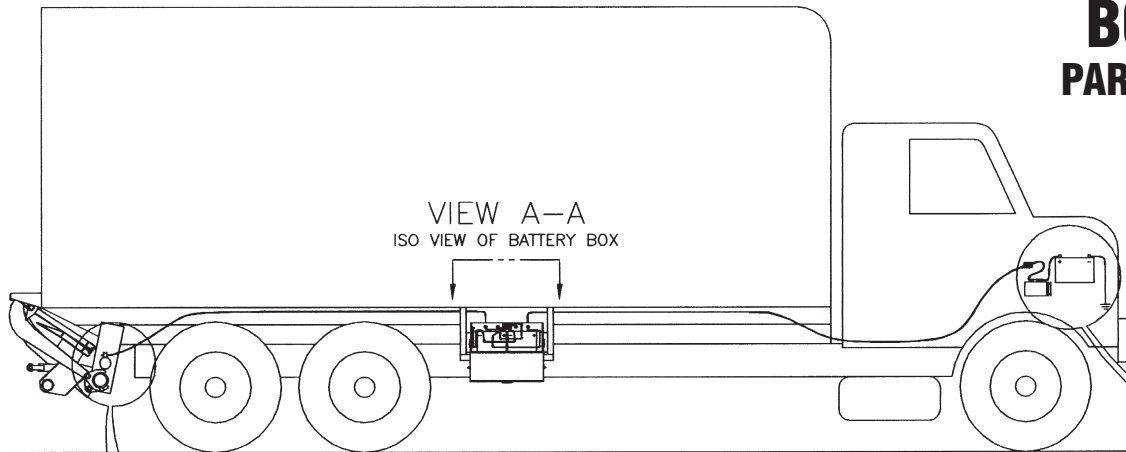


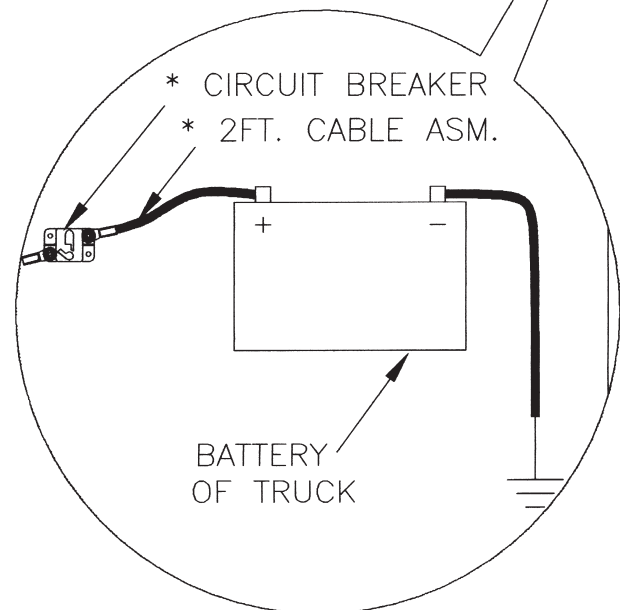
# HIEMAN TAILGATES, INC.

## 220 KIT TRUCK BATTERY BOX KIT PART NO. 3721



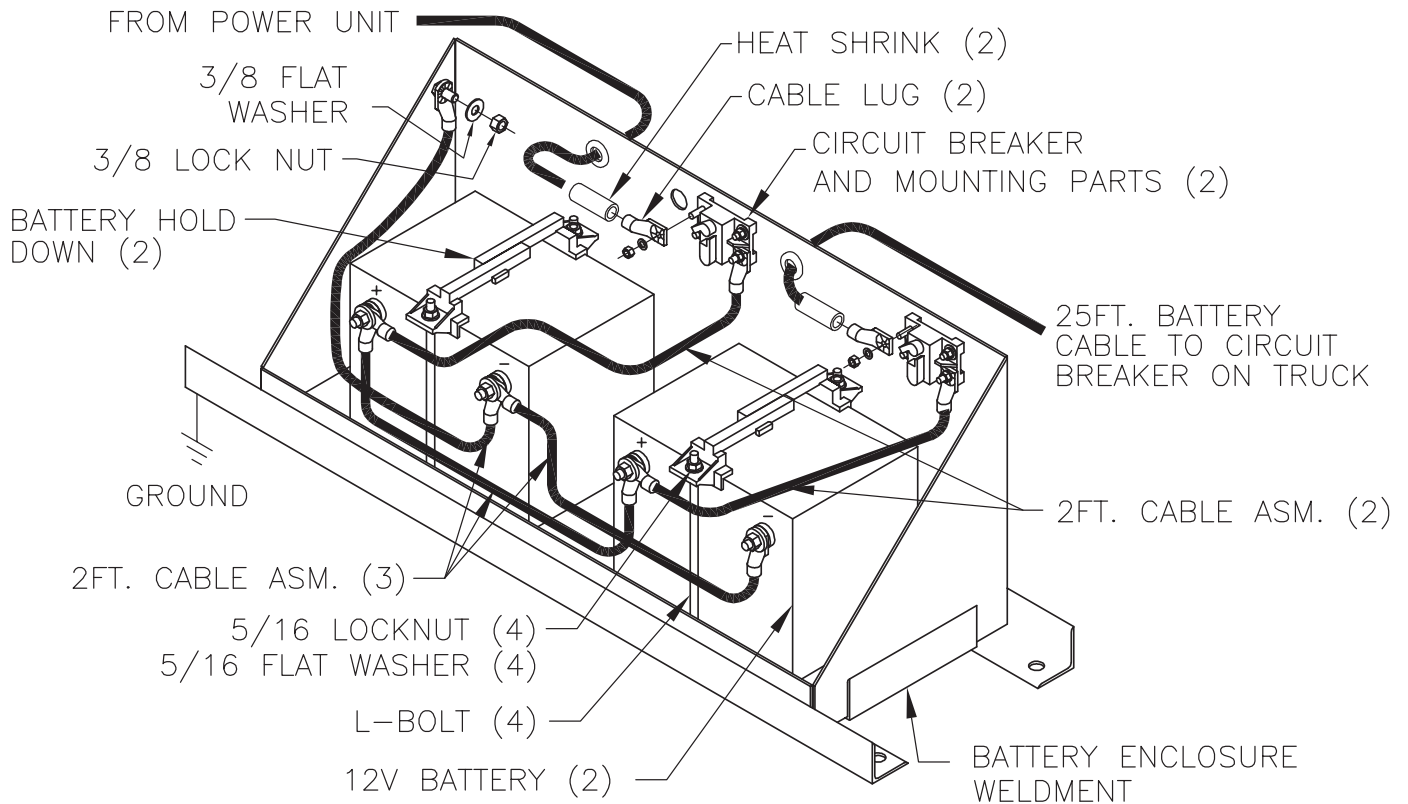
1. MOUNT BATTERY BOX IN A CONVENIENT LOCATION ON THE BODY USING 4 ANGLES PROVIDED.
2. ROUTE POWER UNIT BATTERY CABLE TO THE BATTERY BOX ON BODY.

3. MOUNT CIRCUIT BREAKER WITHIN 2 FT. OF TRUCK BATTERY AND CONNECT ONE TERMINAL OF THE BREAKER TO THE BATTERY TERMINAL USING THE 2 FT. CABLE ASM. AS SHOWN.



\*DENOTES PARTS WHICH ARE INCLUDED IN THE STANDARD INSTALLATION KITS AND NOT THE 220 KIT.

(VIEW A-A)



4. MAKE CONNECTION IN VIEW A-A USING HEAT SHRINK AS SHOWN.
5. CUT CABLES AS NECESSARY AND SUPPORT ALL CABLES EVERY 2 FT. USING CABLE RETAINERS PROVIDED.
6. BATTERY BOX WIRING SHOWN IS FOR TWO 12V BATTERIES. (BATTERIES MUST BE CLASSIFIED AS SAE NO. 20H-285 TO 60-360). BATTERIES OF DIFFERENT SIZE AND VOLTAGE MAY NOT WORK WITH THIS KIT.
7. MAXIMUM SIZE OF EACH BATTERY IS 14.25L X 6.84W X 9.75H.