

KIT INCLUDES :

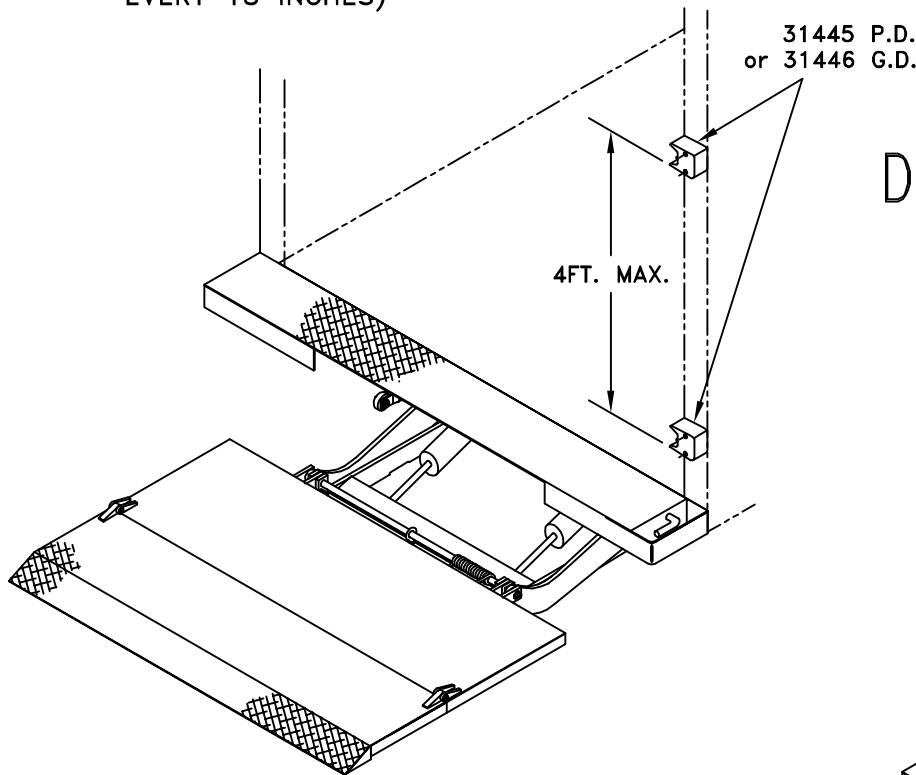
- EXTRA MOLDED TOGGLE CONTROL
- KIT WIRING HARNESS (CONNECTS CONTROL END OF PUMP HARNESS TO BOTH MOLDED TOGGLE CONTROLS)
- HARNESS CLAMPS (USE TO SUPPORT HARNESSES EVERY 18 INCHES)

**THIEMAN
TAILGATES, INC.**

KIT 226

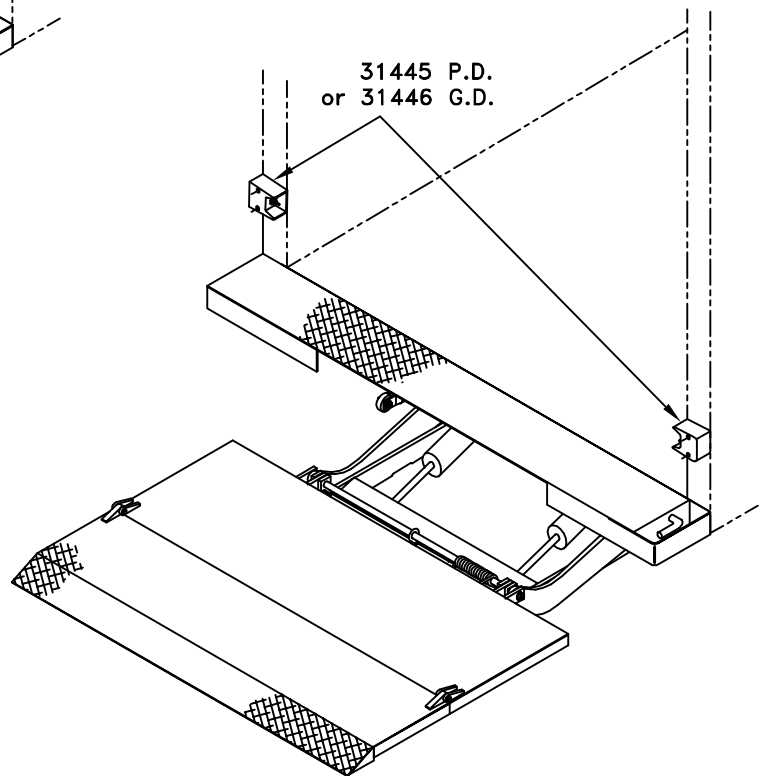
DUAL MOLDED TOGGLE

- PART NO. 3611-001
- PART NO. 3611-002
- PART NO. 3611-003
- PART NO. 3611-004



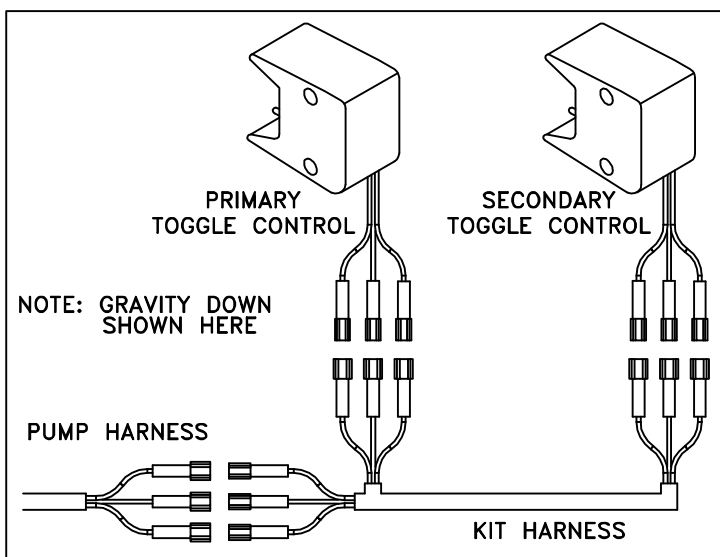
DUAL TOGGLE CONTROLS ON CURB SIDE

- *KIT #226-1 (3611-001)-GRAVITY DOWN
- KIT #226-3 (3611-003)-POWER DOWN



DUAL TOGGLE CONTROLS - CURB AND STREET SIDE CONTROLS

- KIT #226-2 (3611-002)-GRAVITY DOWN
- KIT #226-4 (3611-004)-POWER DOWN



*NOTE: KIT 226-1 WILL NOT WORK ON TVL SERIES LIFTGATES AS KIT HARNESS IS NOT LONG ENOUGH TO EXIT FRAME TOGGLE TUBE. USE KIT 226-2 INSTEAD.

