

# IMPORTANT!

\*LOOSEN PLUG FROM BUTT END OF CYLINDER BEFORE POSITIONING LIFTGATE UNDER TRUCK  
(NOTE: IF PLUG IS NOT LOOSENED, CYLINDER WILL BE AIR LOCKED AND GATE WILL NOT MOVE)

\*RETURN LINE INSTALLATION IS NOW REQUIRED

## KIT INCLUDES:

ITEM NO.	PART NO.	DESCRIPTION	QTY.
1	4921-005	POLY TUBING	2
2	4933-001	TUBE ELBOW	2
3	4934-001	TUBE-TEE	1

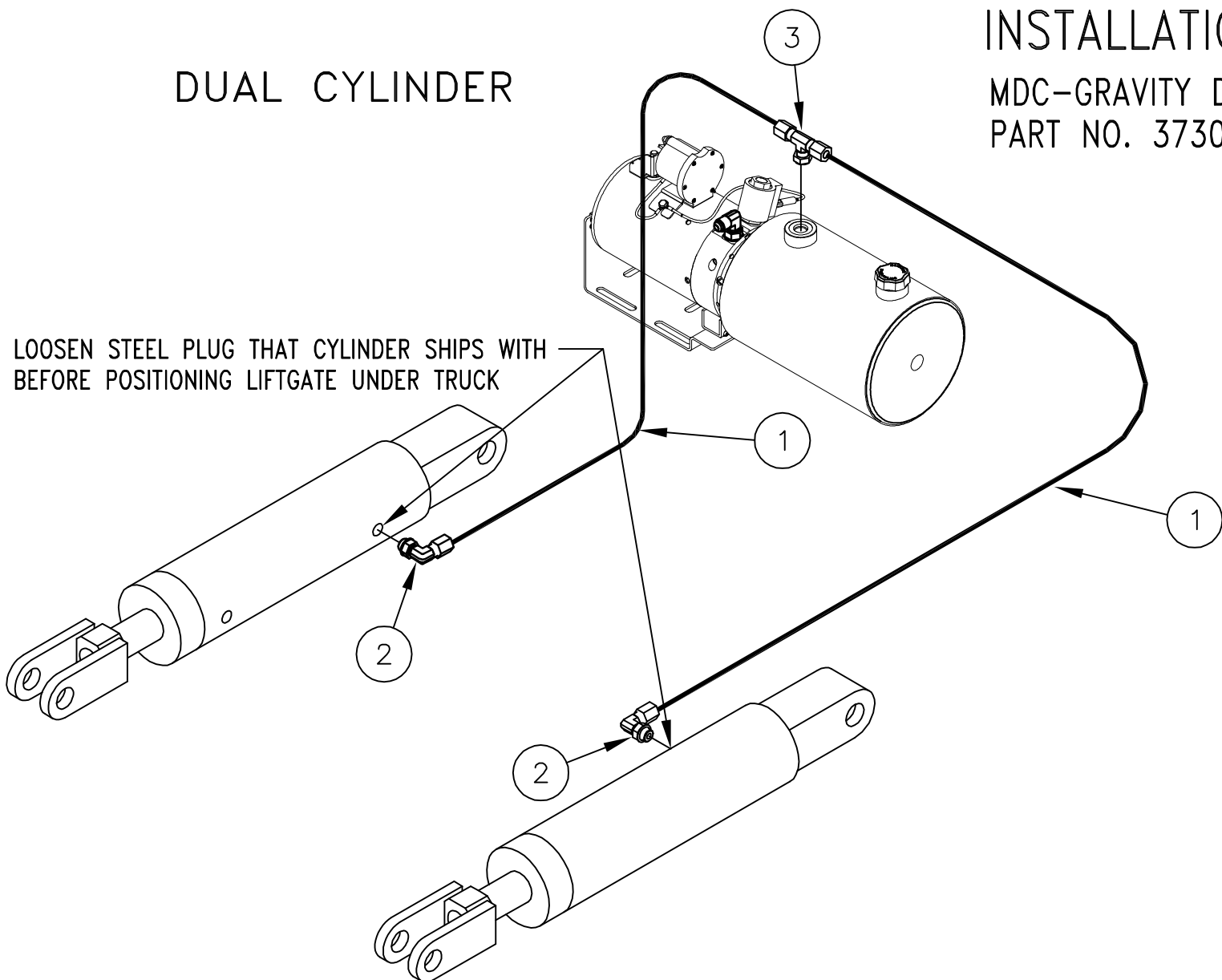
HIEMAN  
TAILGATES, INC.

# KIT 228

## RETURN LINE INSTALLATION

MDC-GRAVITY DOWN  
PART NO. 3730

### DUAL CYLINDER



LOOSEN STEEL PLUG THAT CYLINDER SHIPS WITH  
BEFORE POSITIONING LIFTGATE UNDER TRUCK

NOTE: AFTER GATE IS PROPERLY POSITIONED, REMOVE PLUG AND INSTALL RETURN LINE FROM CYLINDER BUTT END PORT TO RESERVOIR RETURN PORT WITH SUPPLIED FITTINGS AS SHOWN ABOVE.

