

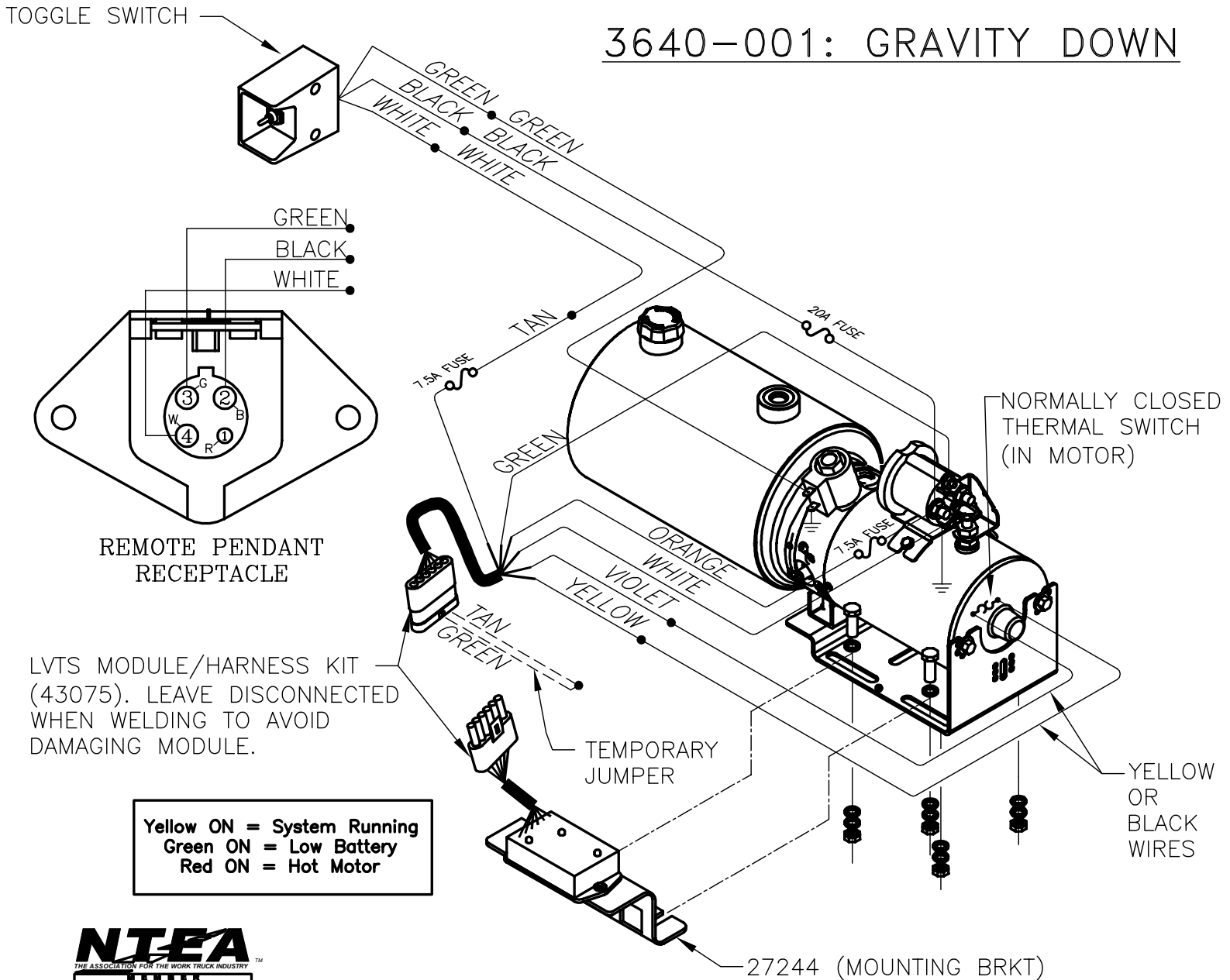
PART NO.	KIT NO.	DESCRIPTION
3640-001	230-1 KIT	GRAVITY DOWN
3640-002	230-2 KIT	POWER DOWN

HIEMAN
 TAILGATES, INC.
KIT 230
 LOW VOLTAGE
 THERMAL SWITCH

NOTES:

- * **DO NOT WELD ON TRUCK OR LIFTGATE WITH 6-PIN CONNECTORS JOINED OR DAMAGE TO LOW VOLTAGE MODULE MAY OCCUR. USE TEMPORARY JUMPER BETWEEN TAN AND GREEN TO RUN GATE (SEE WIRING DIAGRAMS).**
- * LOW VOLTAGE THERMAL SWITCH MUST BE HOUSED INSIDE A POWER UNIT ENCLOSURE.
- * GATES WITH THIS KIT REQUIRE A PUSH TO TRIP BREAKER(PART NO. 43010) SO LOW VOLTAGE MODULE CAN BE RESET.

3640-001: GRAVITY DOWN



3640-002: POWER DOWN

