

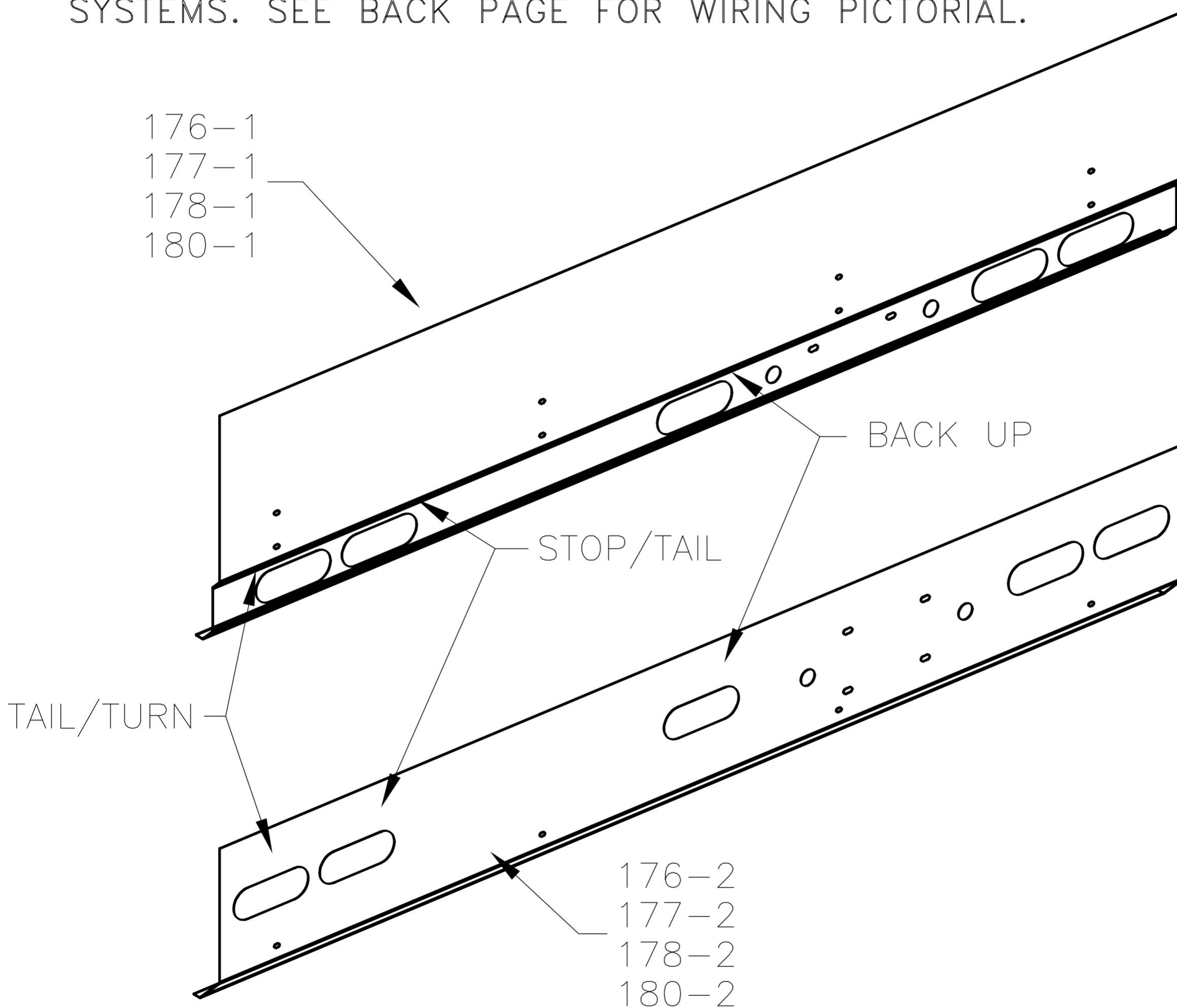
KIT NO.	PLATFORM SIZE	APPLICATION	PART NO.
176-1	75" WIDE	TVLR & TVLR A	3710-001
177-1	85" WIDE	TVLR & TVLR A	3710-002
178-1	90" WIDE	TVLR & TVLR A	3710-003
180-1	95" WIDE	TVLR & TVLR A	3710-004
176-2	75" WIDE	TVLR125/16A,LB	31152-001
177-2	85" WIDE	TVLR125/16A,LB	31152-002
178-2	90" WIDE	TVLR125/16A,LB	31152-003
180-2	95" WIDE	TVLR125/16A,LB	31152-004

HIEMAN
TAILGATES, INC.

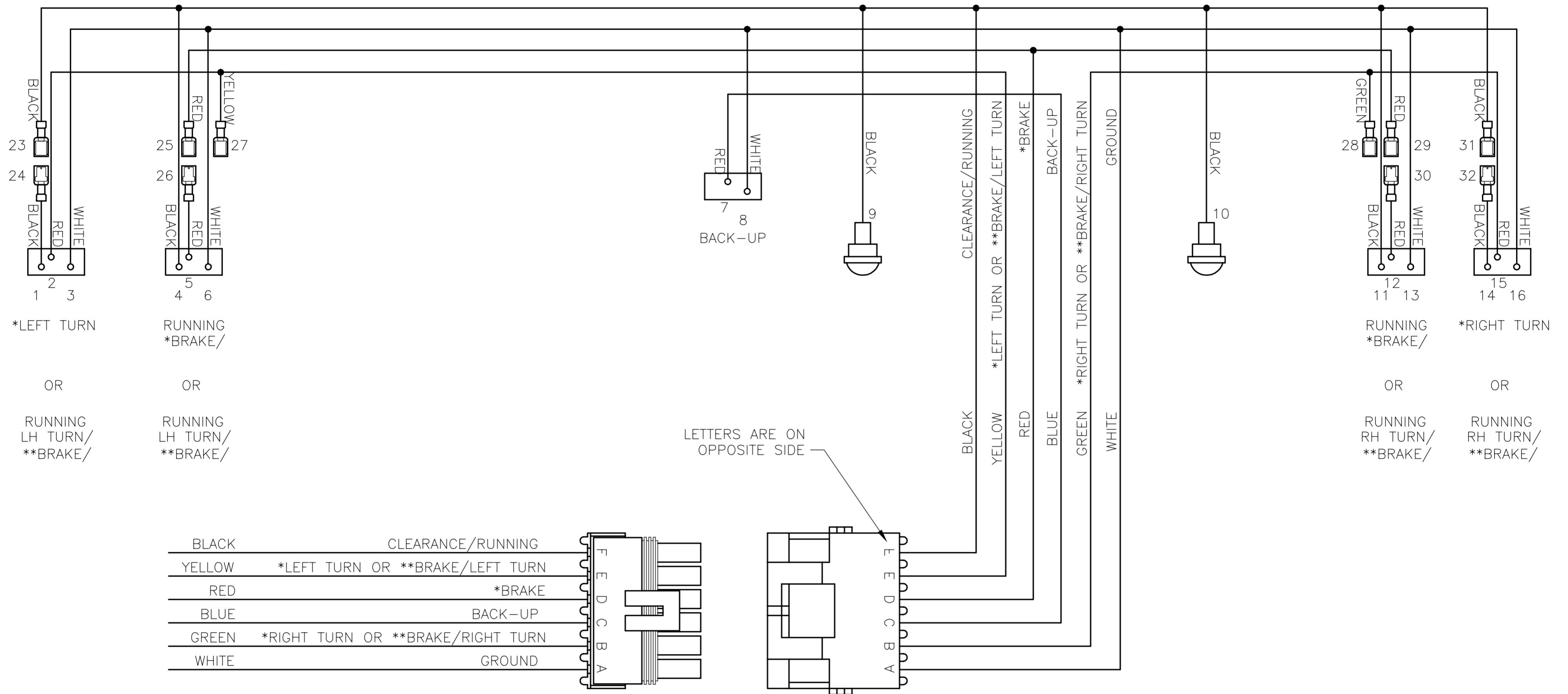
KIT 176
KIT 177
KIT 178
KIT 180

NOTE: KIT WORKS WITH BOTH SEPARATE BRAKE AND TURN OR COMBINED BRAKE AND TURN WIRING SYSTEMS. SEE BACK PAGE FOR WIRING PICTORIAL.

TVLR LED LIGHT KITS



WIRING PICTORIAL



WIRING OPTIONS

*SEPARATE BRAKE AND TURN

1. RED TURN LIGHTS—THIEMAN STD. CONFIGURATION

REQ'D CONNECTIONS: 23 TO 24, 25 TO 26, 29 TO 30, 31 TO 32
(27, 28—BOTH LOOSE)

2. AMBER TURN LIGHTS—OPTIONAL CONFIGURATION

REQ'D CONNECTIONS: 25 TO 26, 29 TO 30
(23, 24, 27, 28, 31, 32—ALL LOOSE)

**COMBINED BRAKE AND TURN—OPTIONAL CONFIGURATION

REQ'D CONNECTIONS: 23 TO 24, 26 TO 27, 28 TO 30, 31 TO 32
(25, 29—BOTH LOOSE)