

For WT20, 30, 40 liftgates on 40 to 54 inch bed heights
 (NOTE: minimum bed height for each range in chart below assumes fully loaded truck)

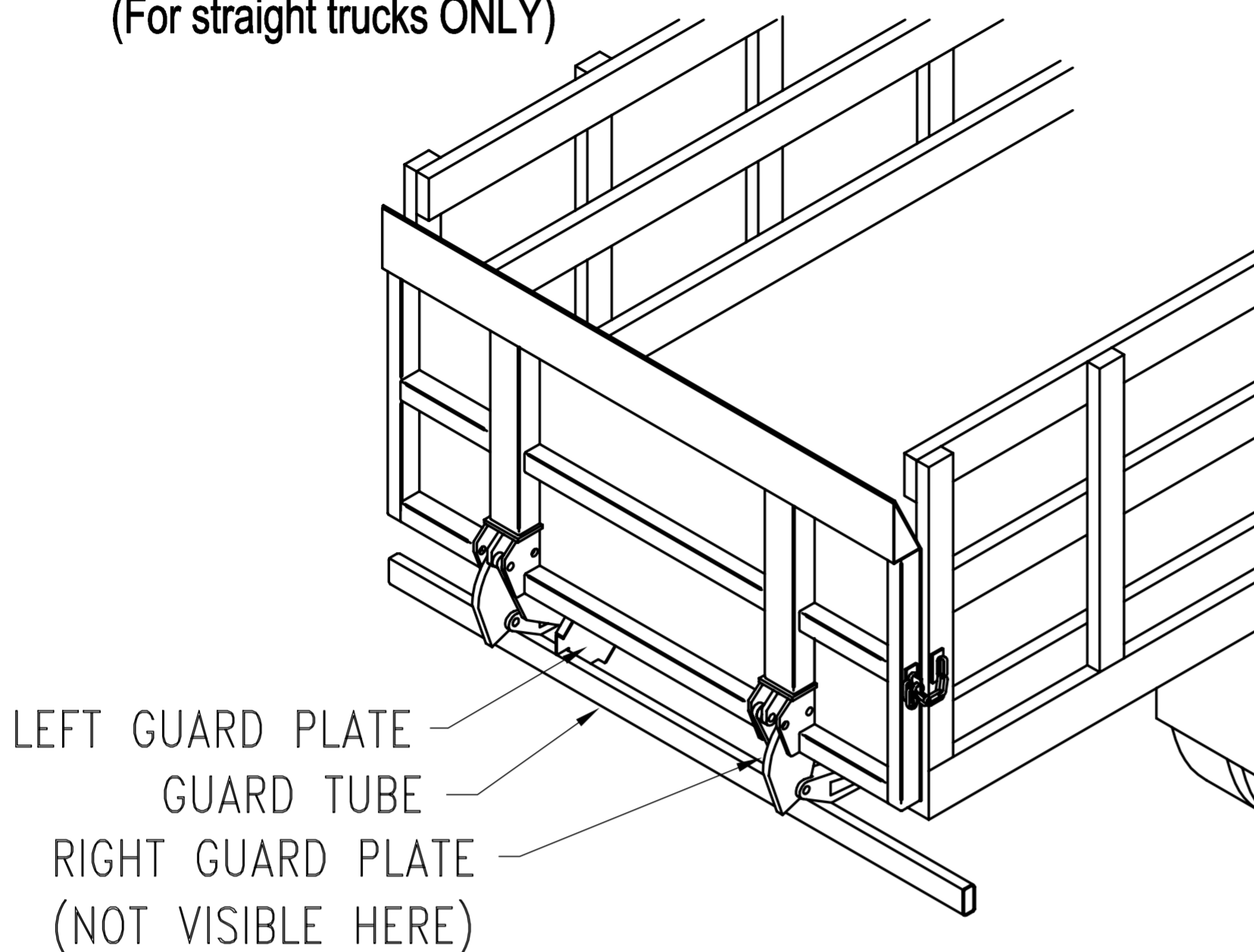


KIT 232

REAR END PROTECTION

WT20, 30, 40
 PART NO. 3735

This guard conforms to Rear End Protection requirements FMCSA 49 CFR 393.86
 (For straight trucks ONLY)



REAR END PROTECTION INSTALLATION

- STEP 1. After liftgate is mounted and is fully operational, tack weld the guard plates to the liftarm side plates using the proper dimensions in the chart below. The guard plates are to be mounted on the inside of the liftarm as shown above and on following page. NOTE: The truck bed when loaded must NOT drop below the minimum bed height for given range in chart for A,B, and C dimensions being used or the guard tube will hit the ground and will not allow the platform to reach ground when the truck is fully loaded.
- STEP 2. Position the guard tube as shown in figure A and tack weld in place.
- STEP 3. Operate liftgate fully through all possible positions to make sure operation is not affected by guard mounting and make sure guard tube does not interfere with anything on vehicle or ground.
- STEP 4. Check to make sure a portion of the guard tube is within the rectangular boundary as shown in Figure B. Also, ends of guard tube must be within 18.00 inches of side of body to be compliant with DOT standards.
- STEP 5. If no interference problems are encountered, weld the guard plates to the liftarm and guard tube as shown in Figure A. Trim off portion of guard plates above liftarm top edge.
- STEP 6. After painting is complete, apply conspicuity tape as shown in Figure A.

WT 20/30/40-

BED HEIGHT	A	B	C
40-44	5.13	11.31	6.25
45-48	5.88	12.03	6.50
49-54	6.25	12.25	6.25



