

# HIEMAN

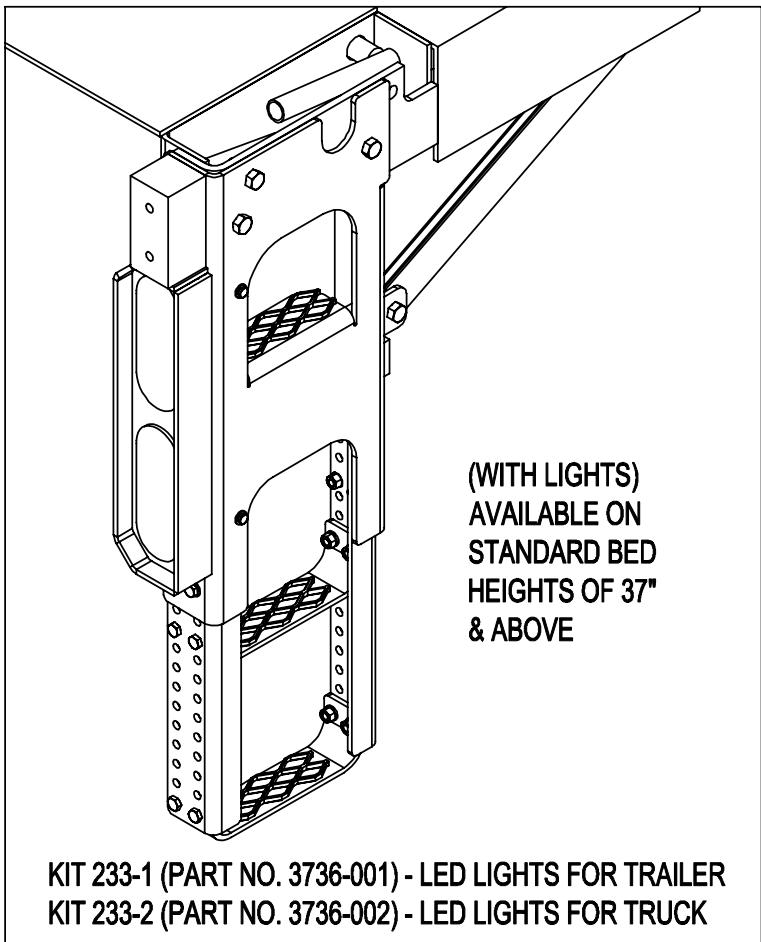
TAILGATES, INC.

## KIT 233-1 KIT 233-2 KIT 233-3

### BOLT-ON DOCK BUMPERS W/ADJUSTABLE STEP

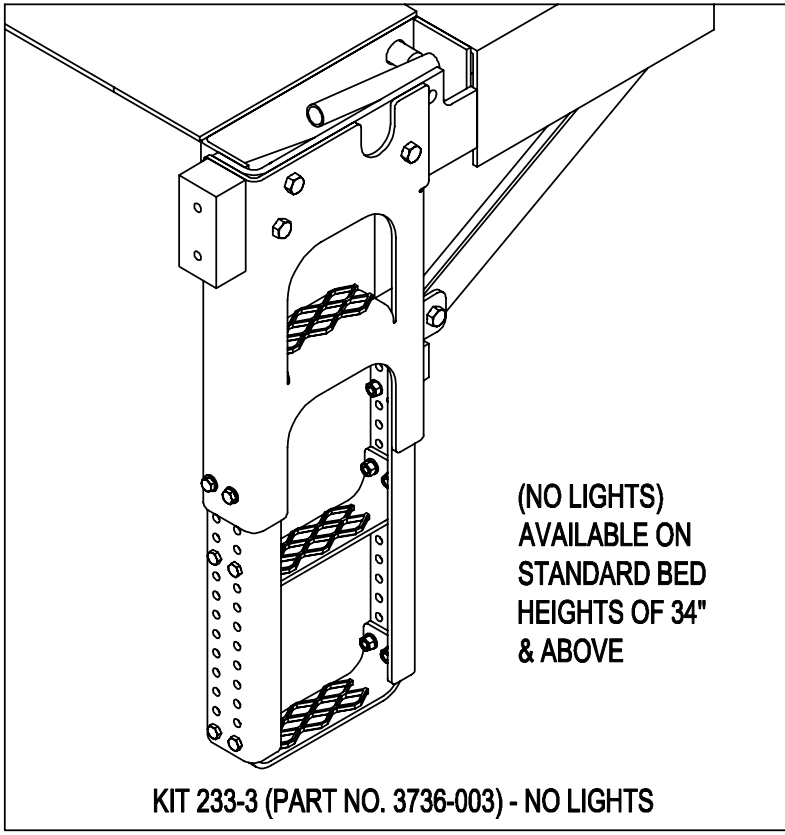
FOR MODELS: LRST, M, MDC

PART NOs. 3736-001  
3736-002  
3736-003



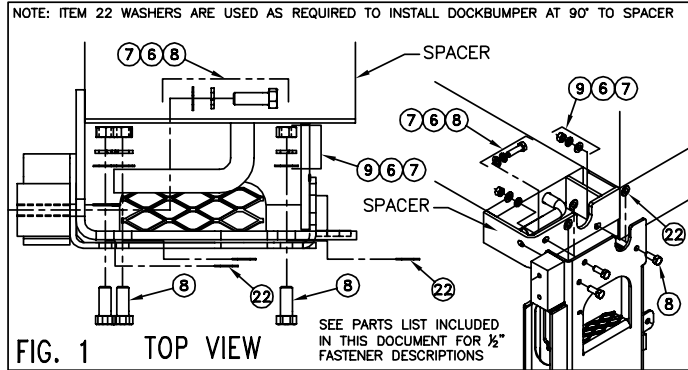
NOTE: FOR 102" WIDE BODY APPLICATIONS, 102" SPACER ASSEMBLY MUST BE ORDERED.

STREET SIDE ASSEMBLIES INCLUDED BUT NOT SHOWN IN IMAGES.

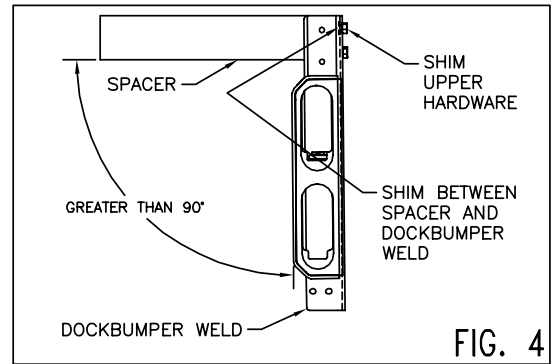
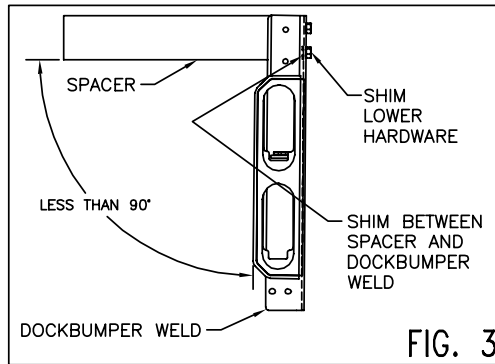
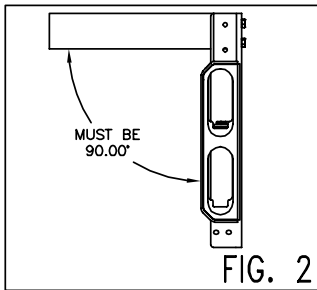


## INSTALLATION INSTRUCTIONS

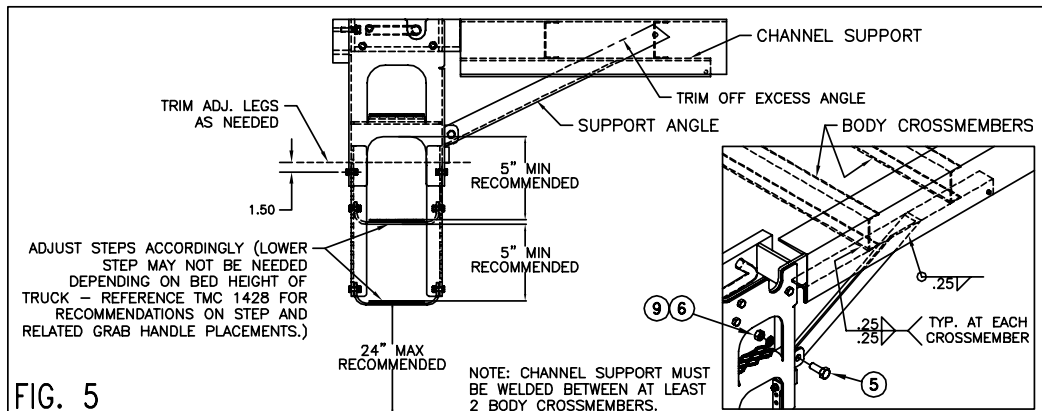
1. Bolt Right hand (R) and Left hand (L) Dockbumper Welds to Spacer using the four .50" bolts and hardware supplied as shown (see Fig. 1). Note that item 22 Shim Washers may be required to create a 90° angle between the Spacer and the Dockbumpers (see Figs. 2 thru 4). If Spacer or Dockbumpers were ordered with a galvanized finish, it may be required to clean out various holes with a drill during this install. Refer to parts breakdown in this document during install.



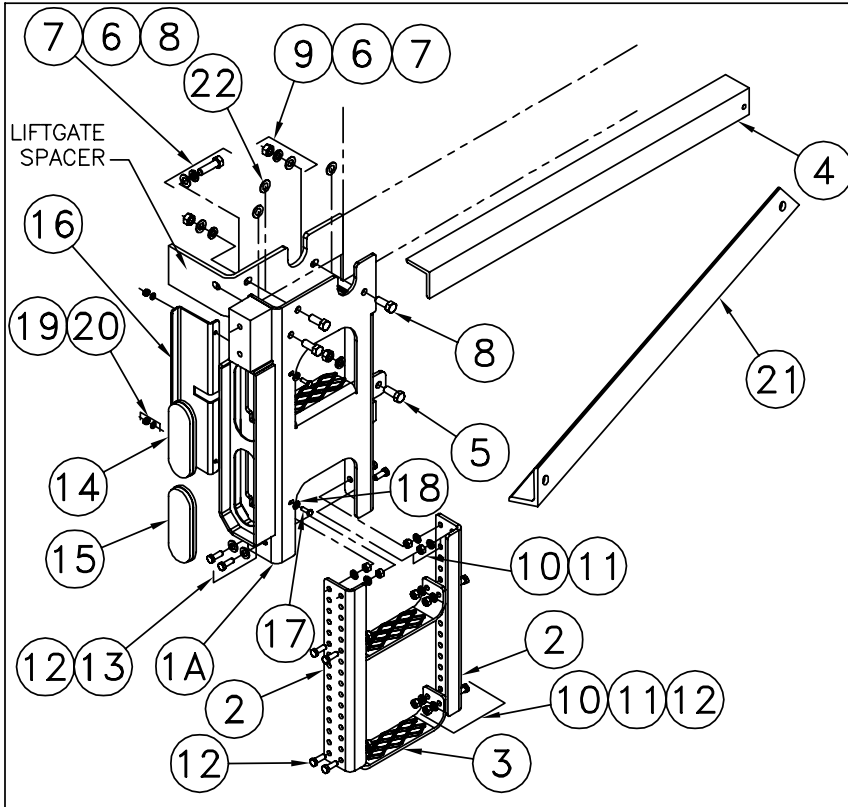
2. Check to see if the Dockbumpers are square with the Spacer (see Fig. 2). If the Dockbumpers are not square, then it may be necessary to use supplied Shim Washers (item 22). Use Shim Washers between Dockbumper Welds and Spacer (see Figs. 3 & 4 to determine where to shim). After the Dockbumpers are square, tighten hardware and cycle gate to be sure that no moving parts interfere with Dockbumpers.



3. Temporarily install Adjustable Legs & Step Welds with the 3/8" hardware supplied to determine their desired locations. The "Technology & Maintenance Council - TMC" has a Recommended Practice, RP 1428, which is a good reference for step and grab handle placement. It is recommended that the bottom Step Welds be 24" or less from ground and that there be a minimum of 5" between Step Welds as shown. Consistent step spacing is also desired. Installation of Grab handles (not supplied in this kit) are also covered in this TMC RP 1428. It is possible that only one Step Weld may be needed, depending on truck bed height (see Fig. 5). Note, that if a Dockbumper is not intended as a step (i.e. no grab handles supplied or no exit desired on that side of truck), install item 23 "This is Not a Step" Decal on the outside of that Dockbumper in clear view of operators. Consult with end user to see if Adjustable Legs and Step Welds should be omitted on that side of truck to discourage entry/egress on that side.
4. Once the Adjustable Legs and Step Welds are at the appropriate heights, unfasten the Adjustable Legs and trim 1.5" above holes used to fasten Adjustable Legs to Dockbumper Weld (see Fig. 5). Reinstall Adjustable Legs and Step Welds.
5. Install Channel Support & Support Angle, using 1/2" hardware and welds as shown. Trim excess from Support Angles as needed. Channel Supports must be welded to at least 2 body crossmembers on truck (see Fig. 5).
6. Complete wiring/install of lights and fasten light covers using 1/4" hardware if applicable.



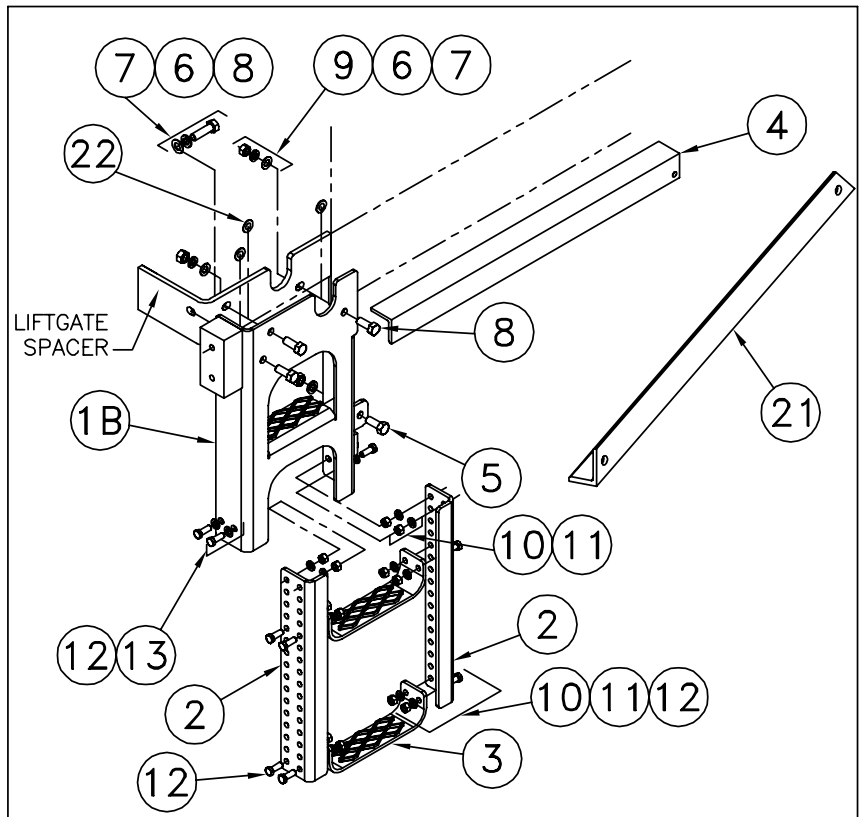
**PARTS BREAKDOWN**



**NOTE: STREET SIDE  
ASSEMBLIES NOT  
SHOWN IN IMAGES.**

**KIT 233-1 (FOR TRAILERS)  
(PART NO. 3736-001)**

**KIT 233-2 (FOR TRUCKS)  
(PART NO. 3736-002)**



**KIT 233-3 (NO LIGHTS)  
(PART NO. 3736-003)**



## PARTS BREAKDOWN

ITEM NO.	PART NO.	DESCRIPTION	KIT 233-1 (PART NO. 3736-001) LED TRAILER LIGHTS (ALL RED)	KIT 233-2 (PART NO. 3736-002) LED TRUCK LIGHTS (1 RED, 1 RED W/ BACKUP)	KIT 233-3 (PART NO. 3736-003) NO LIGHTS
1A	31646	DOCK BUMPER WELD W/LIGHTS-(R)	1	1	
* 1A	31645	DOCK BUMPER WELD W/LIGHTS-(L)	1	1	
1B	31642	DOCK BUMPER WELD-(R)			1
* 1B	31643	DOCK BUMPER WELD-(L)			1
2	27274	ADJUSTABLE LEG	4	4	4
3	31647	STEP WELD	4	4	4
4	2002-027	CHANNEL SUPPORT	2	2	2
5	8100-010	SCREW .50-13 X 1.25	2	2	2
6	8120384	.50 LOCKWASHER	10	10	10
7	8120396	.50 FLATWASHER	8	8	8
8	8100-014	SCREW .50-13 X 1.50	8	8	8
9	8120378	.50-13 NUT	8	8	8
10	8120377	.38-16 NUT	24	24	24
11	8120382	.38 LOCKWASHER	24	24	24
12	8180122	SCREW .38-16 X 1	24	24	24
13	8120388	.38 FLATWASHER	8	8	8
14	43097	LED LIGHT ASSEMBLY-W/BCK UP		2	
15	31475	LED LIGHT ASSEMBLY-RED	4	2	
16	27271	LIGHT COVER	2	2	
17	8109-012	SCREW .25-20 X .75	4	4	
18	8120386	.25 FLATWASHER	4	4	
19	8120380	.25 LOCKWASHER	4	4	
20	8120375	.25-20 NUT	4	4	
21	2057	SUPPORT ANGLE	2	2	2
22	8107-003	.50 SS FLATWASHER-SHIM	12	12	12
23	4619	DECAL	2	2	2

\* STREET SIDES ARE NOT SHOWN, BUT ARE INCLUDED WITH 233 KITS

\*\* ITEM 23 "THIS IS NOT A STEP DECAL" SHOULD ONLY BE USED ON DOCKBUMPERS NOT INTENDED TO BE USED AS STEPS (i.e. WHERE PROPER GRAB HANDLES HAVE NOT BEEN INSTALLED OR ON THOSE SIDES OF VEHICLE WHERE EXITING MAY CAUSE A SAFETY CONCERN FOR END USER. CONSULT WITH END USER.



**600 East Wayne Street Celina, Ohio 45822 Phone: 419-586-7727 Fax: 419-586-9724**