



CAMERA/SENSOR KITS ARE FOR 56.00 NOMINAL WIDTH PLATFORMS ONLY

KIT 235-MAKE-##

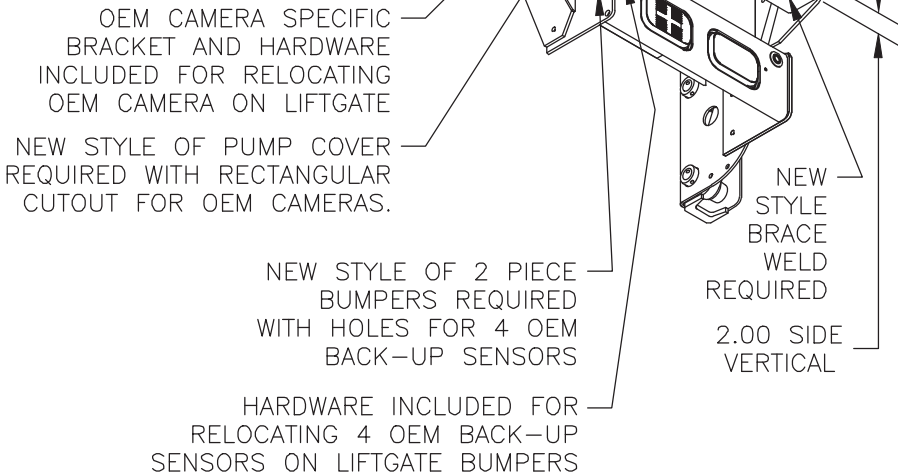
REAR CAMERA/SENSOR MOUNTING KITS

FOR MODEL: TT15

PART NOs. 3738-### (MANY)
(SEE CHART)

NOTE: KITS ARE DESIGNED FOR RELOCATING THE OEM REAR VIEW CAMERA AND 4 BACK-UP SENSORS (ONLY) FROM FULL SIZE OEM PICKUP TRUCK TAILGATES AND BUMPERS.

KITS ARE ONLY AVAILABLE ON LIFTGATES WITH 56 INCH NOMINAL WIDTH PLATFORMS.



NOTE: Installer MUST refer to FMVSS 111 and perform required checks to ensure the relocated camera conforms.

WARNING: Relocated OEM camera will have a different point of view, which will affect screen guidelines. Relocated back-up sensors may perform differently in the relocated positions. Make sure to check surroundings and mirrors prior to reversing vehicle. This kit does NOT provide for relocation of any other OEM device from the tailgate or bumper (i.e. lights, other sensors, etc.)

| Kit No. | Part No. | Application | OEM Camera PN |
|-----------|----------|---|---------------|
| 235-CH-01 | 3738-001 | CHEVY-GM 2014-2018 CK 1500 CHEVY-GM 2014-2019 CK 2500-3500 | 23306741 |
| 235-CH-02 | 3738-005 | CHEVY-GM 2019-PRES. CK 1500 (ANALOG CAMERA) | 23390515 |
| | | CHEVY-GM 2020-PRES. CK 2500-3500 (ANALOG CAMERA) | |
| 235-DG-01 | 3738-002 | CHEVY-GM 2019-PRES. CK 1500 (DIGITAL CAMERA) | 84676846 |
| | | CHEVY-GM 2020-PRES. CK 2500-3500 (DIGITAL CAMERA) | |
| 235-FO-01 | 3738-003 | DODGE 2013-PRES. 1500-2500-3500 (ANALOG) | 68274731AE |
| 235-FO-02 | 3738-004 | DODGE 2019-PRES. 1500-2500-3500 (DIGITAL) | 04672735AD |
| 235-FO-01 | 3738-003 | FORD 2015-2016 F250-F350 SUPER DUTY | EC3Z-19G490-A |
| 235-FO-02 | 3738-004 | FORD 2015-PRES. F150, 2017-PRES. F250-F350 SUPER DUTY | FL3Z-19G490-D |

NOTE: Check that OEM camera PN-part number matches or is a direct replacement to PN shown in chart



Kits for other pickup models to be added as they become available

600 East Wayne Street Celina, Ohio 45822 Phone: 419-586-7727 Fax: 419-586-9724

OEM CAMERA RELOCATION KIT - INSTALLATION INSTRUCTIONS

1. Unfold the liftgate platform and use the liftgate control switch to lower the liftgate platform to the ground.
2. Remove the Liftgate Pump Cover by removing the 2 screws at the bottom corners of the cover (see Fig. 1).
3. Remove the Camera Cutout Cover. **MAKE SURE** to keep all of the $\frac{1}{4}$ inch hardware, including the rubber washers, etc. (see Fig. 1) as this same hardware will be used later to mount the specific camera mounting bracket for your pickup model/year.
4. Remove the OEM back-up camera and wire harness from the pickup tailgate and set aside. **MAKE SURE** to note the TOP of the camera, as the camera **MUST BE** oriented the same way in the liftgate so the image on the OEM screen is oriented properly. Note: For Chevy-GM Kits, save hardware as it will be used later to mount the camera.
5. Remove the 4 OEM back-up sensors and harness from the pickup bumper and set aside.
6. Fasten the OEM back-up camera to the Camera Mounting Plate. See Figures below for the make/model year specific kits.

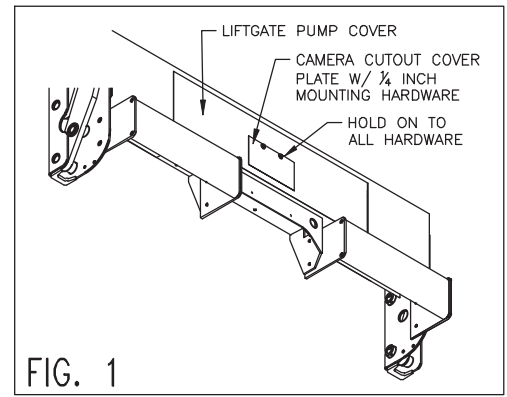
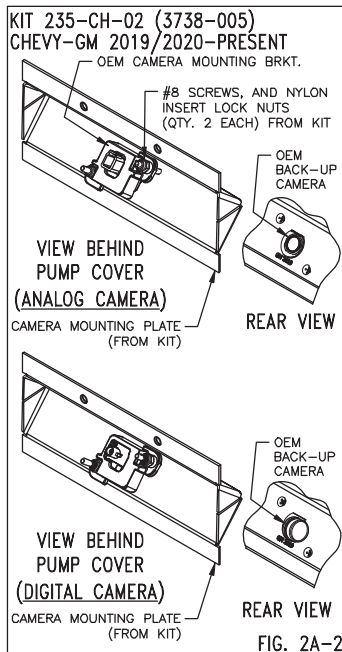
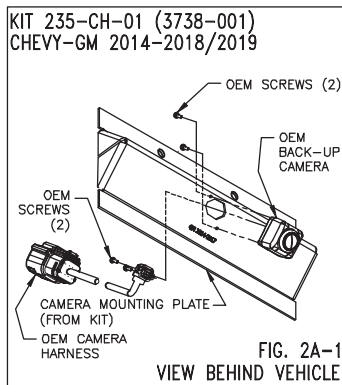
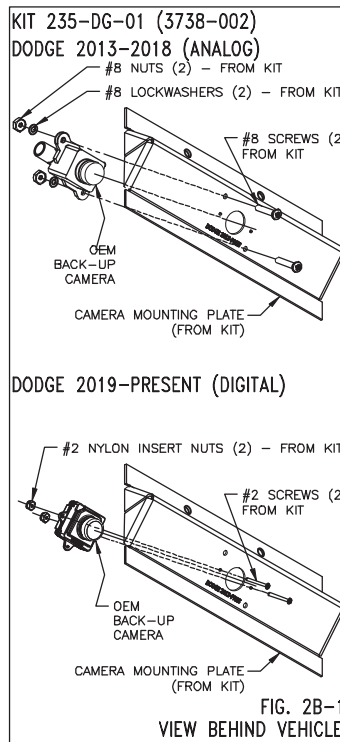


FIG. 1

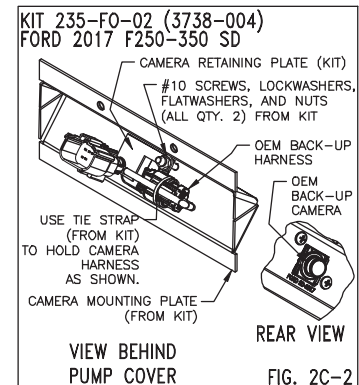
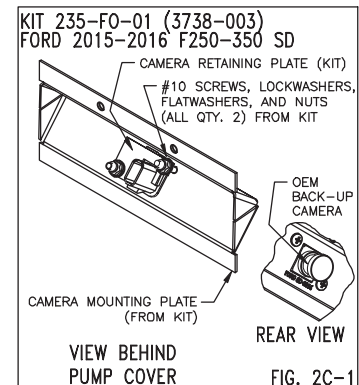
A. CHEVY - GM



B. DODGE

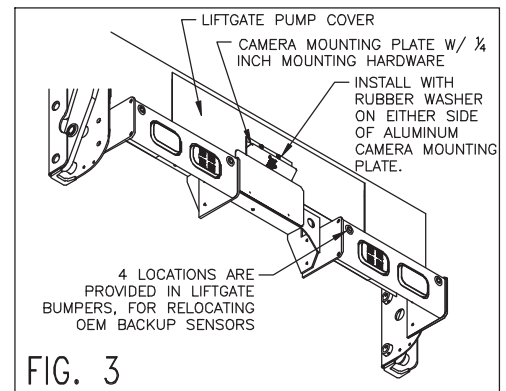


C. FORD



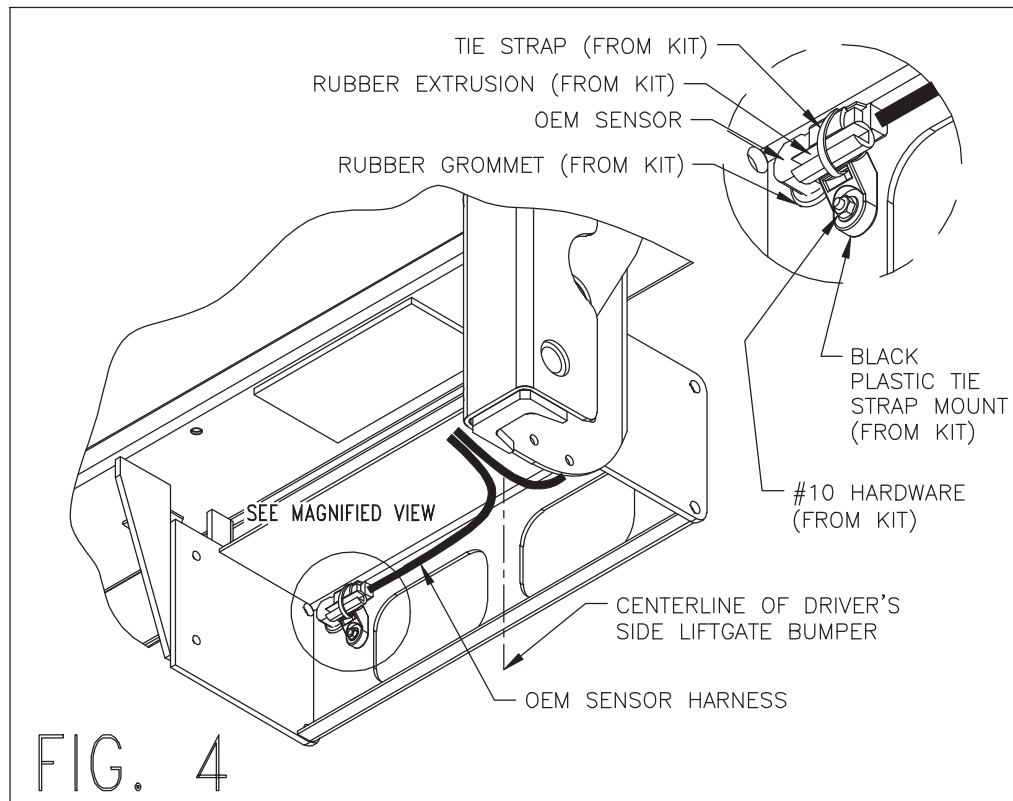
OEM CAMERA RELOCATION KIT - INSTALLATION INSTRUCTIONS (CONTINUED)

7. Reconnect the OEM harness to the OEM camera harness, and connect the OEM camera harness to the OEM camera if this has not already been done. OEM harness can be routed through holes in the back of the liftgate pump housing. Preferably, route cable through hole NOT used for spare tire access.
8. Attach the Camera Mounting Plate and OEM camera assembly to the pump cover using $\frac{1}{4}$ inch hardware from step 3 on previous page.
9. Re-install the pump cover as shown in Fig. 3.
10. Re-install vehicle license plate. License plate will overlap lower portion of Camera Mounting plate as shown in Fig. 3.
11. Verify relocated camera conforms to FMVSS 111.
12. If your pickup truck was equipped with back-up sensors, proceed to the following steps for instructions on mounting the 4 OEM sensors in your liftgates bumper (not designed for narrow liftgates mounted on wider service bodies - as sensor "blind spots" would exist).



OEM BACK-UP SENSORS RELOCATION KIT - INSTALLATION INSTRUCTIONS

12. On liftgates with 56 inch wide platforms, the standard two-piece bumpers will ship with provisions to remount the 4 OEM back-up sensors in the liftgate bumper (See Fig. 3).
13. Remove the 4 plastic dome plugs from the sensor holes in the bumper.
14. On 2019 GM C/K 1500 or 2020 C/K 2500/3500 pickups, the hole must be drilled larger to 1.125" diameter.
15. Install one rubber grommet from the kit, in each of the 4 holes.
16. Press and turn the OEM sensors into the 4 holes with grommets installed. The sensors will fit snugly. Sensors MUST be turned so that the OEM sensor harnesses point inward toward the centerline of each bumper as shown. Without this horizontal plug orientation, sensors will not behave properly and may have "blind spots".
17. Install a Black Plastic Mount by each sensor oriented as shown in Fig. 4, using #10 hardware supplied in the kit. Tighten hardware so Mount does not turn.
18. Lay a Rubber Extrusion alongside each sensor as shown and tie strap the OEM sensor plug, Rubber Extrusion, and Black Plastic Mount, all together as shown to hold each OEM sensor in the orientation shown.
19. Check that relocated sensors behave similar to original OEM location operation.



**3738-000 COMMON
SENSOR MTG.
PARTS
BREAKDOWN**

| PART NO. | DESCRIPTION | QTY. |
|----------|-------------------------------|------|
| 5795-001 | RUBBER GROMMET | 4 |
| 5750-003 | RUBBER EXTRUSION - 1.50 INCH | 4 |
| 5780 | BLACK PLASTIC TIE STRAP MOUNT | 4 |
| 5700101 | TIE STRAP - 6.00 INCH | 4 |
| 8111-008 | #10-32 SCREW X 1.00 | 4 |
| 8107-007 | #10 FLATWASHER | 4 |
| 8106-007 | #10 LOCKWASHER | 4 |
| 8103-010 | #10 NUT | 4 |

**3738-001 CAMERA
PARTS
BREAKDOWN**

| PART NO. | DESCRIPTION | QTY. |
|----------|-----------------------|------|
| 27282 | CAMERA MOUNTING PLATE | 1 |

*KIT ALSO INCLUDES COMMON SENSOR MOUNTING PARTS (3738-000)

**3738-002 CAMERA
PARTS
BREAKDOWN**

| PART NO. | DESCRIPTION | QTY. |
|----------|--|------|
| 27289 | CAMERA MOUNTING PLATE | 1 |
| 8120-003 | #8-32 SCREW X 1.00 (STAINLESS STEEL) | 2 |
| 8106-017 | #8 LOCKWASHER (STAINLESS STEEL) | 2 |
| 8103-032 | #8 NUT (STAINLESS STEEL) | 2 |
| 8103-037 | #2 NYLON INSERT LOCK NUT (STAINLESS STEEL) | 2 |
| 8117-002 | #2-56 SCREW X .750 (STAINLESS STEEL) | 2 |

*KIT ALSO INCLUDES COMMON SENSOR MOUNTING PARTS (3738-000)

**3738-003 CAMERA
PARTS
BREAKDOWN**

| PART NO. | DESCRIPTION | QTY. |
|----------|------------------------|------|
| 27283 | CAMERA MOUNTING PLATE | 1 |
| 27278 | CAMERA RETAINING PLATE | 1 |
| 8111-008 | #10-32 SCREW X 1.00 | 2 |
| 8107-007 | #10 FLATWASHER | 2 |
| 8106-007 | #10 LOCKWASHER | 2 |
| 8103-010 | #10 NUT | 2 |

*KIT ALSO INCLUDES COMMON SENSOR MOUNTING PARTS (3738-000)

**3738-004 CAMERA
PARTS
BREAKDOWN**

| PART NO. | DESCRIPTION | QTY. |
|----------|------------------------|------|
| 27284 | CAMERA MOUNTING PLATE | 1 |
| 27278 | CAMERA RETAINING PLATE | 1 |
| 5700101 | TIE STRAP - 6.00 INCH | 1 |
| 8111-008 | #10-32 SCREW X 1.00 | 2 |
| 8107-007 | #10 FLATWASHER | 2 |
| 8106-007 | #10 LOCKWASHER | 2 |
| 8103-010 | #10 NUT | 2 |

*KIT ALSO INCLUDES COMMON SENSOR MOUNTING PARTS (3738-000)

**3738-005 CAMERA
PARTS
BREAKDOWN**

| PART NO. | DESCRIPTION | QTY. |
|----------|--|------|
| 27308 | CAMERA MOUNTING PLATE | 1 |
| 8120-004 | #8-32 SCREW X 1.25 (STAINLESS STEEL) | 2 |
| 8103-031 | #8 NYLON INSERT LOCK NUT (STAINLESS STEEL) | 2 |

*KIT ALSO INCLUDES COMMON SENSOR MOUNTING PARTS (3738-000)

