

KIT 235-MAKE-##

REAR CAMERA/SENSOR MOUNTING KITS

FOR MODEL: TT15
 PART NOs. 3738-### (MANY)
 (SEE CHART)

NOTE: KITS ARE DESIGNED FOR RELOCATING THE OEM REAR VIEW CAMERA AND SENSORS FROM FULL SIZE OEM PICKUP TRUCK TAILGATES AND BUMPERS.

KITS ARE ONLY AVAILABLE ON LIFTGATES WITH 56 INCH NOMINAL WIDTH PLATFORMS.

NOTE: Installer MUST refer to FMVSS 111 and perform required checks to ensure the relocated camera conforms.
WARNING: Relocated OEM camera will have a different point of view, which will affect screen guidelines. Relocated sensors may perform differently in the relocated positions. Make sure to check surroundings and mirrors prior to reversing vehicle.

Kit No.	Part No.	Application	OEM Camera PN
235-CH-01	3738-001	CHEVY-GM 2014-2017 CK 1500-2500-3500	23306741
235-DG-01	3738-002	DODGE 2013-2017 1500-2500-3500	68274731AE
235-FO-01	3738-003	FORD 2015-2016 F250-F350 SUPER DUTY	EC3Z-19G490-A
235-FO-02	3738-004	FORD 2015-2017 F150, 2017 F250-F350 SUPER DUTY	FL3Z-19G490-D

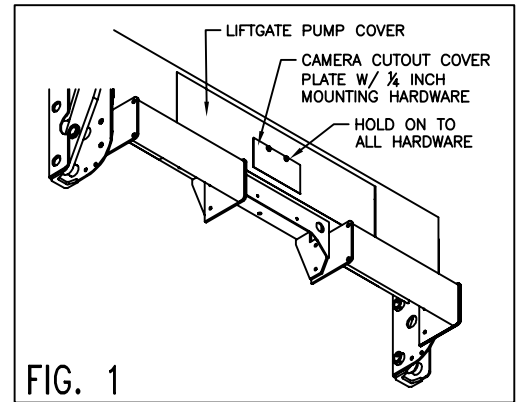
NOTE: Check that OEM camera PN-part number matches or is a direct replacement to PN shown in chart

Kits for other pickup models to be added as they become available

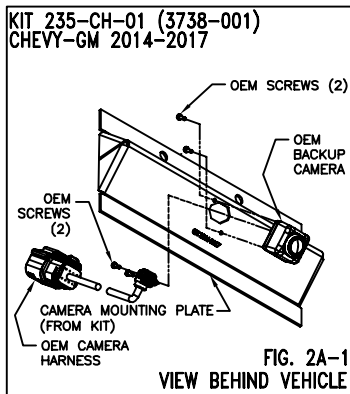


OEM CAMERA RELOCATION KIT - INSTALLATION INSTRUCTIONS

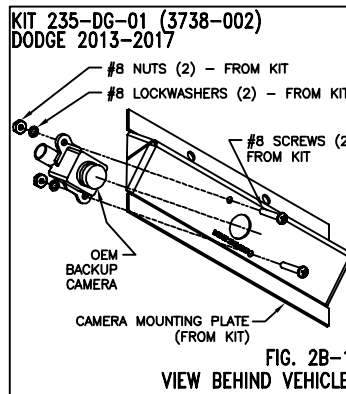
1. Unfold the liftgate platform and use the liftgate control switch to lower the liftgate platform to the ground.
2. Remove the Liftgate Pump Cover by removing the 2 screws at the bottom corners of the cover (see Fig. 1).
3. Remove the Camera Cutout Cover. **MAKE SURE** to keep all of the ¼ inch hardware, including the rubber washers, etc. (see Fig. 1) as this same hardware will be used later to mount the specific camera mounting bracket for your pickup model/year.
4. Remove the OEM backup camera and wire harness from the pickup tailgate and set aside. **MAKE SURE** to note the TOP of the camera, as the camera **MUST BE** oriented the same way in the liftgate so the image on the OEM screen is oriented properly. Note: For Chevy-GM Kits, save hardware as it will be used later to mount the camera.
5. Remove the OEM backup sensors and harness from the pickup bumper and set aside.
6. Fasten the OEM backup camera to the Camera Mounting Plate. See Figures below for the make/model year specific kits.



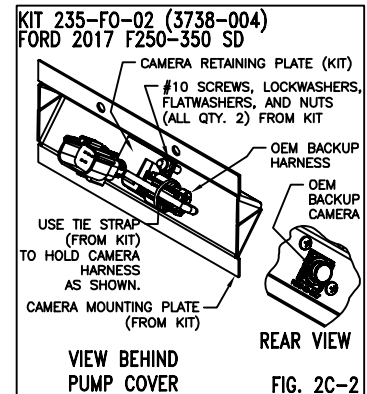
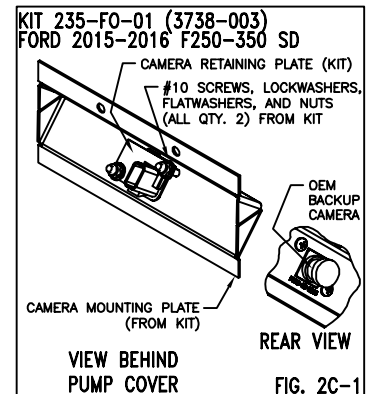
A. CHEVY - GM



B. DODGE

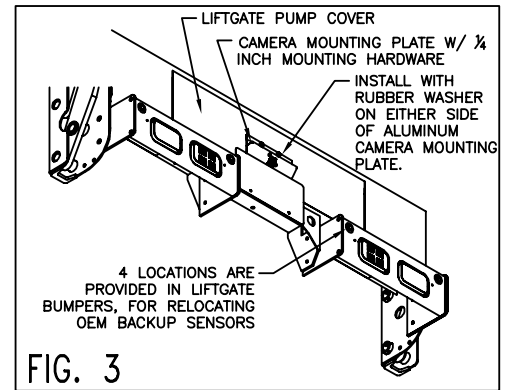


C. FORD



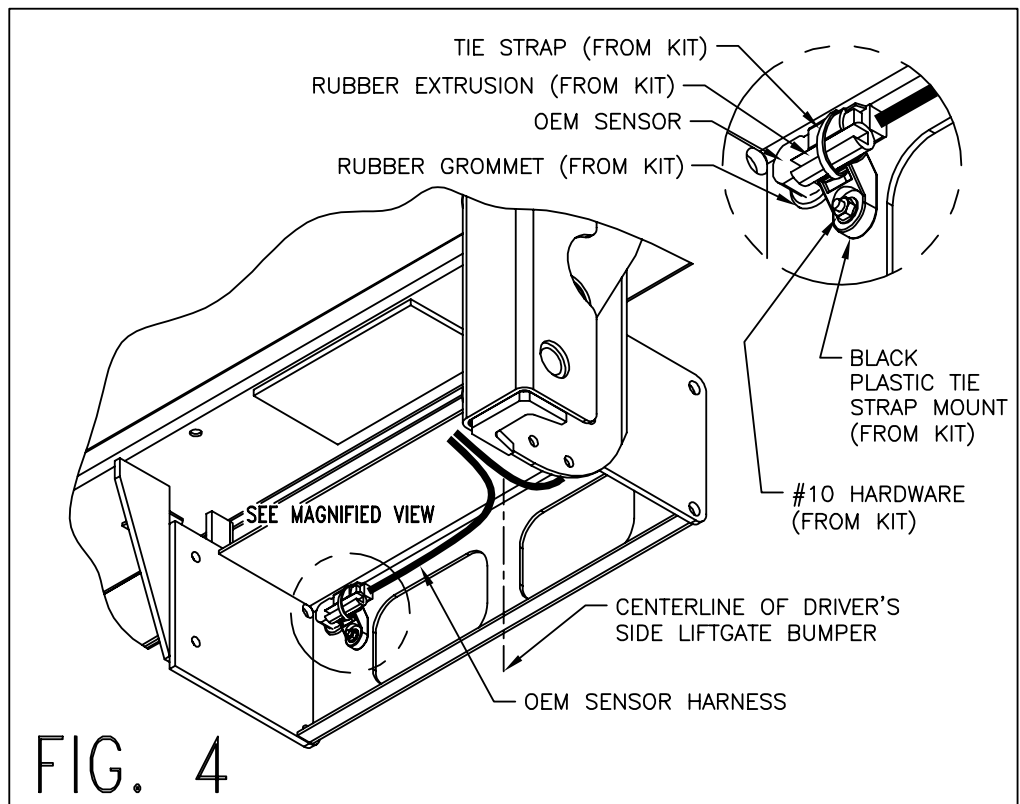
OEM CAMERA RELOCATION KIT - INSTALLATION INSTRUCTIONS (CONTINUED)

7. Reconnect the OEM harness to the OEM camera harness, and connect the OEM camera harness to the OEM camera if this has not already been done. OEM harness can be routed through holes in the back of the liftgate pump housing. Preferably, route cable through hole NOT used for spare tire access.
8. Attach the Camera Mounting Plate and OEM camera assembly to the pump cover using $\frac{1}{4}$ inch hardware from step 3 on previous page.
9. Re-install the pump cover as shown in Fig. 3.
10. Re-install vehicle license plate. License plate will overlap lower portion of Camera Mounting plate as shown in Fig. 3.
11. Verify relocated camera conforms to FMVSS 111.
12. If your pickup truck was equipped with backup sensors, proceed to the following steps for instructions on mounting the OEM sensors in your liftgates bumper (not designed for narrow liftgates mounted on wider service bodies - as sensor "blind spots" would exist).



OEM SENSORS RELOCATION KIT - INSTALLATION INSTRUCTIONS

12. On liftgates with 56 inch wide platforms, the standard two-piece bumpers will ship with provisions to remount the 4 OEM sensors in the liftgate bumper (See Fig. 3).
13. Remove the 4 plastic dome plugs from the sensor holes in the bumper.
14. Install one rubber grommet from the kit, in each of the 4 holes.
15. Press and turn the OEM sensors into the 4 holes with grommets installed. The sensors will fit snugly. Sensors MUST be turned so that the OEM sensor harnesses point inward toward the centerline of each bumper as shown. Without this horizontal plug orientation, sensors will not behave properly and may have "blind spots".
16. Install a Black Plastic Mount by each sensor oriented as shown in Fig. 4, using #10 hardware supplied in the kit. Tighten hardware so Mount does not turn.
17. Lay a Rubber Extrusion alongside each sensor as shown and tie strap the OEM sensor plug, Rubber Extrusion, and Black Plastic Mount, all together as shown to hold each OEM sensor in the orientation shown.
18. Check that relocated sensors behave similar to original OEM location operation.



3738-000 COMMON
SENSOR MTG.
PARTS
BREAKDOWN

PART NO.	DESCRIPTION	QTY.
5795-001	RUBBER GROMMET	4
5750-003	RUBBER EXTRUSION - 1.50 INCH	4
5780	BLACK PLASTIC TIE STRAP MOUNT	4
5700101	TIE STRAP - 6.00 INCH	4
8111-008	#10-32 SCREW X 1.00 (STAINLESS STEEL)	4
8107-007	#10 FLATWASHER (STAINLESS STEEL)	4
8106-007	#10 LOCKWASHER (STAINLESS STEEL)	4
8103-010	#10 NUT	4

3738-001 CAMERA
PARTS
BREAKDOWN

PART NO.	DESCRIPTION	QTY.
27282	CAMERA MOUNTING PLATE - GM 2014-2017	1

*KIT ALSO INCLUDES COMMON SENSOR MOUNTING PARTS (3738-000)

3738-002 CAMERA
PARTS
BREAKDOWN

PART NO.	DESCRIPTION	QTY.
27289	CAMERA MOUNTING PLATE - DODGE 2013-2017	1
8120-003	#8-32 SCREW X 1.00 (STAINLESS STEEL)	2
8106-017	#8 LOCKWASHER (STAINLESS STEEL)	2
8103-032	#8 NUT	2

*KIT ALSO INCLUDES COMMON SENSOR MOUNTING PARTS (3738-000)

3738-003 CAMERA
PARTS
BREAKDOWN

PART NO.	DESCRIPTION	QTY.
27283	CAMERA MOUNTING PLATE - FORD 2015-2016 SD	1
27278	CAMERA RETAINING PLATE - FORD ALL 2015-2017	1
8111-008	#10-32 SCREW X 1.00 (STAINLESS STEEL)	2
8107-007	#10 FLATWASHER (STAINLESS STEEL)	2
8106-007	#10 LOCKWASHER (STAINLESS STEEL)	2
8103-010	#10 NUT	2

*KIT ALSO INCLUDES COMMON SENSOR MOUNTING PARTS (3738-000)

3738-004 CAMERA
PARTS
BREAKDOWN

PART NO.	DESCRIPTION	QTY.
27284	CAMERA MOUNTING PLATE - FORD 2017 SD	1
27278	CAMERA RETAINING PLATE - FORD ALL 2015-2017	1
5700101	TIE STRAP - 6.00 INCH	1
8111-008	#10-32 SCREW X 1.00 (STAINLESS STEEL)	2
8107-007	#10 FLATWASHER (STAINLESS STEEL)	2
8106-007	#10 LOCKWASHER (STAINLESS STEEL)	2
8103-010	#10 NUT	2

*KIT ALSO INCLUDES COMMON SENSOR MOUNTING PARTS (3738-000)

