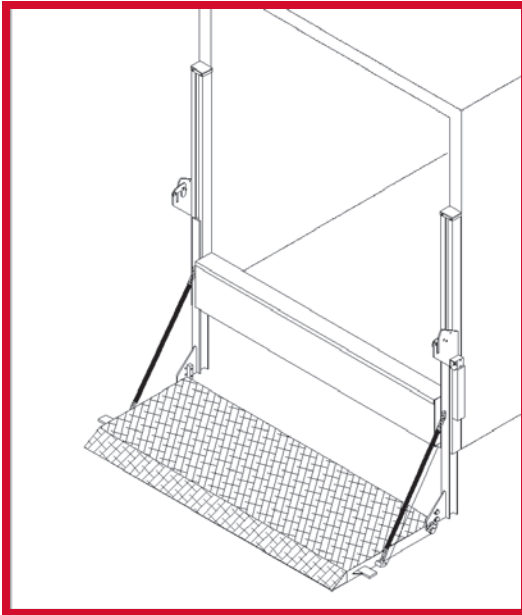


TVLR SERIES

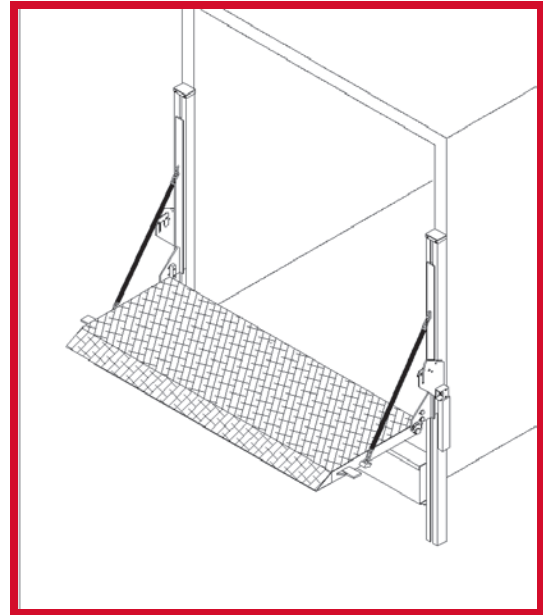
*new models with
BOTTOM ROLLERS standard*

Railgates By THIEMAN
Raising Performance to New Levels

STANDARD



ABOVE BED



FEATURING:

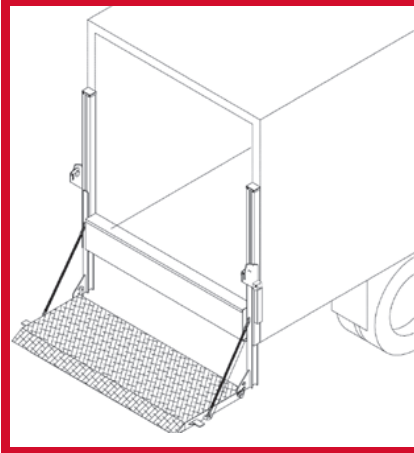
- **NEW Sliders w/Bottom Rollers**
- **NEW Stronger Frame Design**
- **NEW 2 piece platform options**
- **Fully Enclosed Pump and Cylinder**
- **Steel/Aluminum Platforms**
- **Level Ride Platform**
- **Auto Safety Latch System**
- **1250 to 3000 Lb. Capacities**
- **Torsion Assist Platform Closing**

Designed for the use on van and stake bodies, cutaways, and step-vans, the **NEW AND IMPROVED** Thieman TVLR railgate series is a reliable, low-maintenance, general-purpose liftgate.

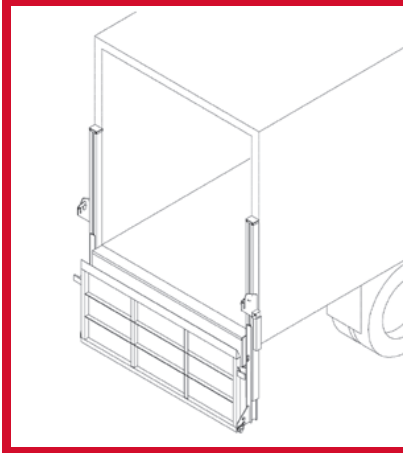
This popular railgate has a wide range of lift capacities and is available for above-bed and special low-bed application. If overall weight is a concern the Thieman all aluminum AATVLR could be the right answer.

With its many standard features and versatile options, the **NEW AND IMPROVED** Thieman TVLR series, continues to be the future of general purpose railgates.

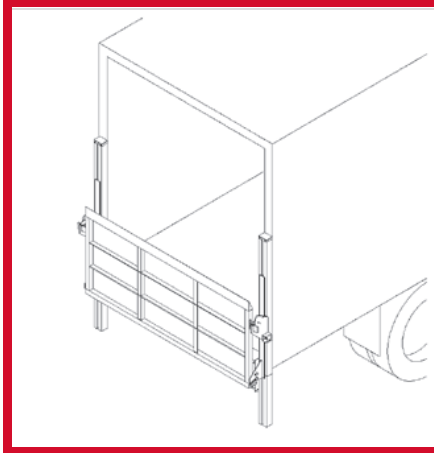
Steel Frame and Platform



Platform in loading position



Platform in docking position



Platform in travel position

STANDARD FEATURES AND BENEFITS:

- Meets all TMC electrical guidelines for reduced service requirements.
- Pre-assembled, self-contained pump and cylinder for easy installation and protection from the weather.
- Automatic safety latch for hands free disengagement of the platform both in and out of stowed position.
- Low friction roller slider for smooth operation.
- Torsion bars assist for easy platform handling.
- Pre-assembled toggle switch assembly for easy operation and increased reliability.
- Liftgate lowers below bed height for dock loading depending on bed height & platform depth
- 150 Amp circuit breaker for electrical protection.

AVAILABLE OPTIONS FOR TVLR SERIES:

- Low bed capability
- Safety cut-off switch
- Remote pendant control
- Special platform sizes/2 pc dock loading
- Steel, expanded metal and bar grate platforms
- 102" Wide body
- Bottle gas cage (30" & 36" depths only)
- Light kits
- In-Cab Shut Off Switch
- Aluminum retention ramp

Model #	Platform Widths	Platform Depths	Load Capacity	Above Bed Range	Bed Height Range	Overall Width
TVLR 125	75" & 85"	30", 36"	1250 lbs.	N/A	33"-46", 33"-56"	80" & 90"
TVLR 16	90"	30", 36", 42"	1600 lbs.	N/A	33" to 56"	95"
TVLR 20	90"	30", 36", 42", 48"	2000 lbs.	N/A	33" to 56"	95"
TVLR 30	90"	30", 36", 42", 48"	3000 lbs.	N/A	33" to 56"	95"
TVLR 125A	75" & 85"	30", 36"	1250 lbs.	16"-10"	33"-46", 33"-46"	80" & 90"
TVLR 16A	90"	30", 36", 42"	1600 lbs.	16"-10"	33" to 46"	95"
TVLR 20A	90"	30", 36", 42", 48"	2000 lbs.	16"-10"	33" to 46"	95"
TVLR 30A	90"	30", 36", 42", 48"	3000 lbs.	16"-10"	33" to 46"	95"

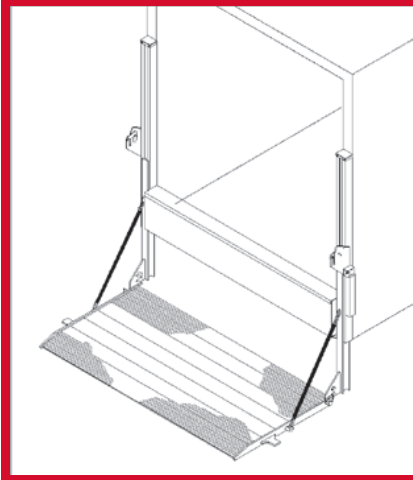
A-Above bed (Maximum bed height 46")

*For special bed heights and platform sizes, contact the factory.

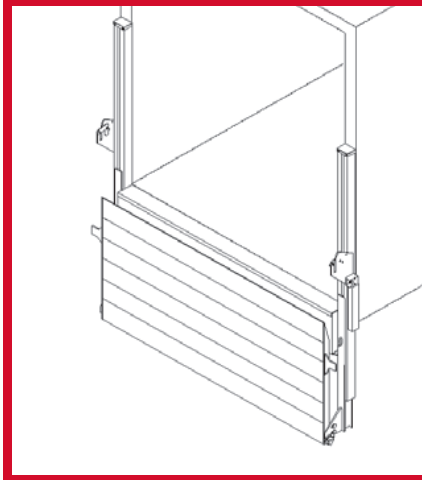
Application: Van Bodies, Stake Bodies, and Trailers

All Steel platforms have 5" ramps

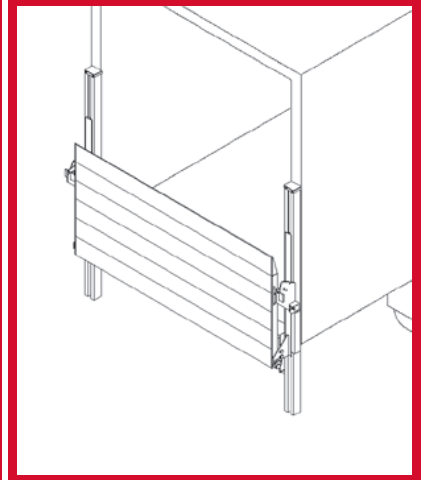
Steel Frame Aluminum Platform



Platform in loading position



Platform in docking position



Platform in travel position

STANDARD FEATURES AND BENEFITS:

- Meets all TMC electrical guidelines for reduced service requirements.
- Pre-assembled, self-contained pump and cylinder for easy installation and protection from the weather.
- Automatic safety latch for hands free disengagement of the platform both in and out of stowed position.
- Low friction roller slider for smooth operation.
- Torsion bars assist for easy platform handling.
- Pre-assembled toggle switch assembly for easy operation and increased reliability.
- Liftgate lowers below bed height for dock loading depending on bed height & platform depth
- 150 Amp circuit breaker for electrical protection.

AVAILABLE OPTIONS FOR TVLR-AL SERIES:

- Low bed capability
- Safety cut-off switch
- Remote pendant control
- Special platform sizes/2 pc dock loading
- 102" Wide body
- Bottle gas cage (30" & 36" depths only)
- Light kits
- In-Cab Shut Off Switch
- Aluminum retention ramp
- Foot activated cart stop (single or dual)

Model #	Platform Widths	Platform Depths	Load Capacity	Above Bed Range	Bed Height Range	Overall Width
TVLR 125AL	75" & 85"	30", 36", 42", 48", 54", 60"	1250 lbs.	N/A	33"-46", 33"-56"	80" & 90"
TVLR 16AL	90"	30", 36", 42", 48", 54", 60" 66", 72"	1600 lbs.	N/A	33" to 56"	95"
TVLR 20AL	90"	30", 36", 42", 48", 54", 60" 66", 72"	2000 lbs.	N/A	33" to 56"	95"
TVLR 30AL	90"	42", 48", 54", 60", 66", 72"	3000 lbs.	N/A "	33" to 56"	95"
TVLR 125A-AL	75" & 85"	30", 36", 42", 48", 54", 60"	1250 lbs.	16"-10"	33"-46", 33"-46"	80" & 90"
TVLR 16A-AL	90"	30", 36", 42", 48", 54", 60" 66", 72"	1600 lbs.	16"-10"	33" to 46"	95"
TVLR 20A-AL	90"	30", 36", 42", 48", 54", 60" 66", 72"	2000 lbs.	16"-10"	33" to 46"	95"
TVLR 30A-AL	90"	42", 48", 54", 60", 66", 72"	3000 lbs.	16"-10"	33" to 46"	95"

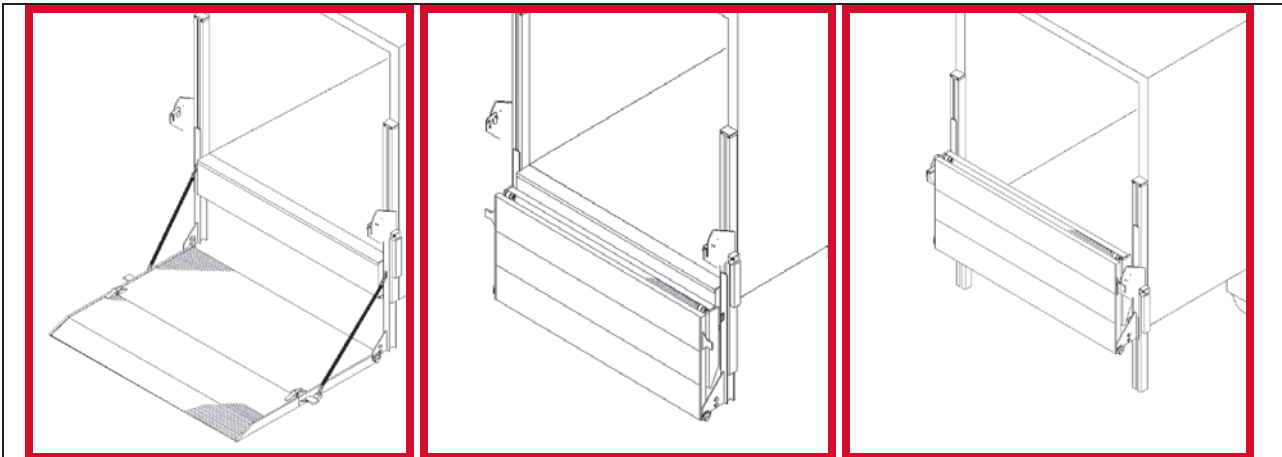
A-Above bed (Maximum bed height 46")

*For special bed heights and platform sizes, contact the factory.

Application: Van Bodies, Stake Bodies, and Trailer

All Aluminum platforms have 6" ramps

Steel Frame 2 Pc (Dockload) Platform



Platform in loading position

Platform in docking position

Platform in travel position

STANDARD FEATURES AND BENEFITS:

- Meets all TMC electrical guidelines for reduced service requirements.
- Pre-assembled, self-contained pump and cylinder for easy installation and protection from the weather.
- Automatic safety latch for hands free disengagement of the platform both in and out of stowed position.
- Low friction roller slider for smooth operation.
- Torsion bars assist for easy platform handling.
- Pre-assembled toggle switch assembly for easy operation and increased reliability.
- Liftgate lowers below bed height for dock loading depending on bed height & platform depth
- 150 Amp circuit breaker for electrical protection.

AVAILABLE OPTIONS FOR TVLR SERIES:

- Low bed capability
- Safety cut-off switch
- Remote pendant control
- Special platform sizes
- Aluminum platforms
- 102" Wide body
- Light kits
- In-Cab Shut Off Switch
- Aluminum retention ramp
- Foot activated cart stop (single or dual)

Model #	Platform Widths	Platform Depths	Extension Depths	Load Capacity	Above Bed Range	Bed Height Range	Overall Width
TVLR 125	75" & 85"	30", 36", 42"	12" & 18"	1250 lbs.	N/A	33"-46", 33"-56"	80" & 90"
TVLR 16	90"	30", 36", 42"	12" & 18"	1600 lbs.	N/A	33" to 56"	95"
TVLR 20	90"	30", 36", 42"	12" & 18"	2000 lbs.	N/A	33" to 56"	95"
TVLR 30	90"	30", 36", 42"	12" & 18"	3000 lbs.	N/A	33" to 56"	95"
TVLR 125A	75" & 85"	30", 36", 42"	12" & 18"	1250 lbs.	16"-10"	33"-46", 33"-46"	80" & 90"
TVLR 16A	90"	30", 36", 42"	12" & 18"	1600 lbs.	16"-10"	33" to 46"	95"
TVLR 20A	90"	30", 36", 42"	12" & 18"	2000 lbs.	16"-10"	33" to 46"	95"
TVLR 30A	90"	30", 36", 42"	12" & 18"	3000 lbs.	16"-10"	33" to 46"	95"

A-Above bed (Maximum bed height 46")
 *For special bed heights and platform sizes, contact the factory.
 Application: Van Bodies, Stake Bodies, and Trailers
 All Aluminum platforms have 6" ramps



600 East Wayne Street
 Celina, Ohio 45822
 Phone: 800-524-5210
 Fax: 419-586-9724
www.thieman.com
info@thiemantailgates.com

Raising Performance to New Levels