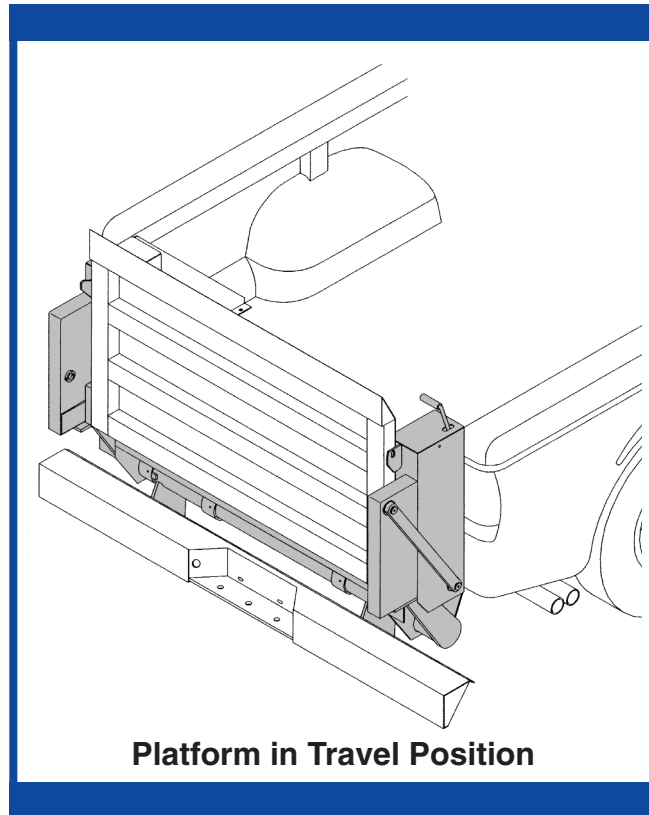
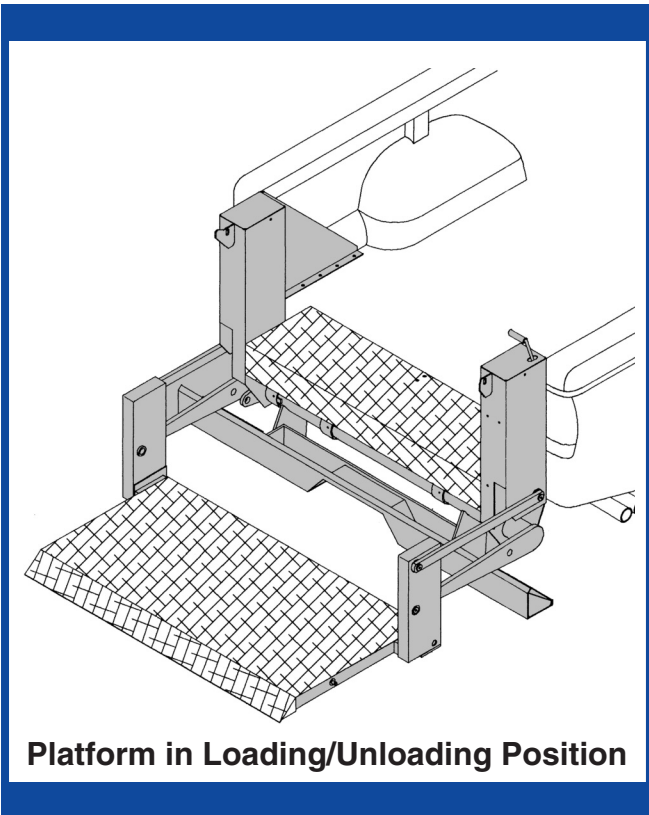


TopLifter

Tailgates By **THIEMAN**
Raising Performance to New Levels

Model TT-12



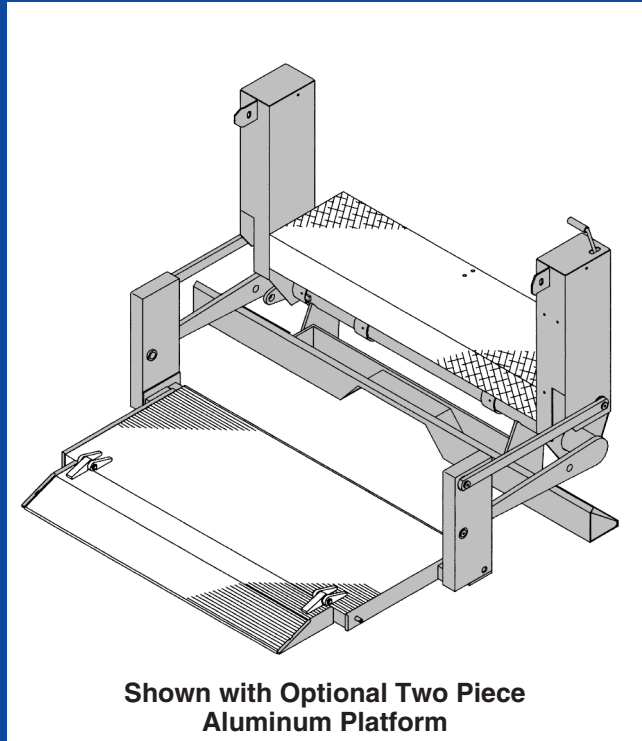
FEATURING:

- Meets TMC Electrical Guidelines
- Direct Cylinder Lift, No Chains or Cables
- Heavy-Duty Steel Diamond Plate Platform & Threshold
- Fully Enclosed Power Unit and Cylinders
- Fast and Easy Installation
- 5000 lb. Tow Rated Bumper

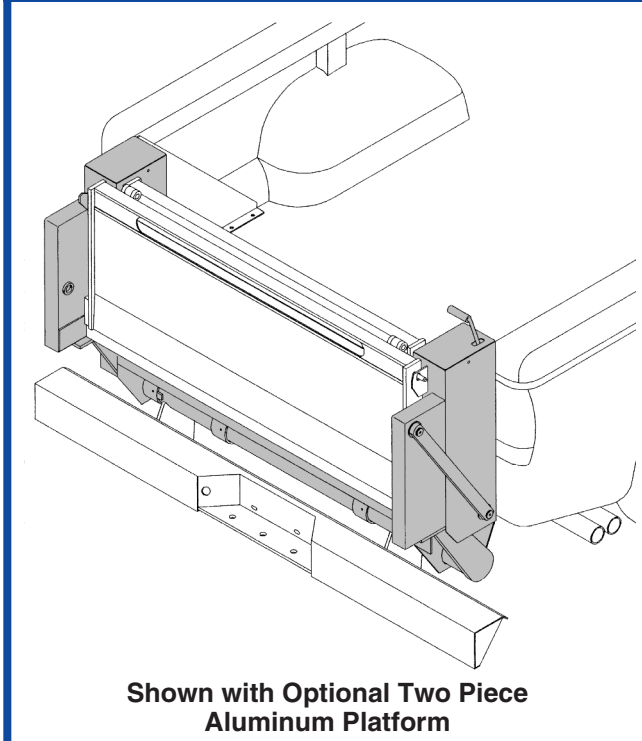
The THIEMAN TT-12 Series is completely assembled into one compact unit - ready to run. Simply bolt or weld it to the truck bed and connect the battery cable. Installation is fast and easy. And years from now, it will be just as simple to remount the TT model on a new truck. The lifting mechanism is completely enclosed for a neat appearance and protection from the elements. The towing rated swing-away bumper is also standard on the TT-12. The THIEMAN TT's overall design makes it the toughest liftgate available in its class.



Features, Benefits and Specifications



Shown with Optional Two Piece Aluminum Platform



Shown with Optional Two Piece Aluminum Platform

STANDARD FEATURES AND BENEFITS:

- Automatic Swing-Away Bumper (5000 lb. Tow Rating) for Towing Capacity.
- Meets All TMC Electrical Guidelines for Reduced Service Requirements.
- Enclosed Cylinders and Power Units for Better Reliability.
- Skid Resistant Steel Diamond Plate Platform and Threshold for Added Safety.
- Adjustable Cylinder Clevis for Easy Platform and Bed Alignment.
- 150 Amp Circuit Breaker for Electrical Protection.

AVAILABLE OPTIONS FOR TT-12:

- A Variety of Platforms Including: Expanded Metal, 2-Piece Folding, Aluminum, Bar Grate, Galvanized
- Molded Toggle Switch (Environmentally Sealed)
- Remote Pendant Control
- No Bumper
- In Cab Shut Off Switch

Model #	Platform	Rated Load Capacity Lbs.	Approx. Inst. Wt.	Bed Height Range
TT12E-5326	53" x 26" + 5"	1250	477	27" - 36"
TT12E-5626	56" x 26" + 5"	1250	491	27" - 36"
TT12EPB-5326	53" x 26" + 5"	1250	479	27" - 36"
TT12EPB-5626	56" x 26" + 5"	1250	493	27" - 36"

E-Electric w/Manual Control EPB-Electric w/Push Button Control

Applications:

TT12-53" x 26"Utility and Service Bodies

TT12-56" x 26"1988 and Later GMC/Chevrolet Pickup, 1994 and Later Dodge Pickup, call factory for applications on 1997 and Later Ford Pickup

Distributed By:



Raising Performance to New Levels

600 East Wayne Street
 Celina, Ohio 45822
 Phone: 419-586-7727 or
 800-524-5210
 Fax: 419-586-9724
www.thiemantailgates.com
info@thiemantailgates.com

THIEMAN Reserves the right to Change Products Specifications at any time Without Prior Notice.
 Printed in U.S.A. Rev. 5/10 • 2M • MP 70075