

SideLoader

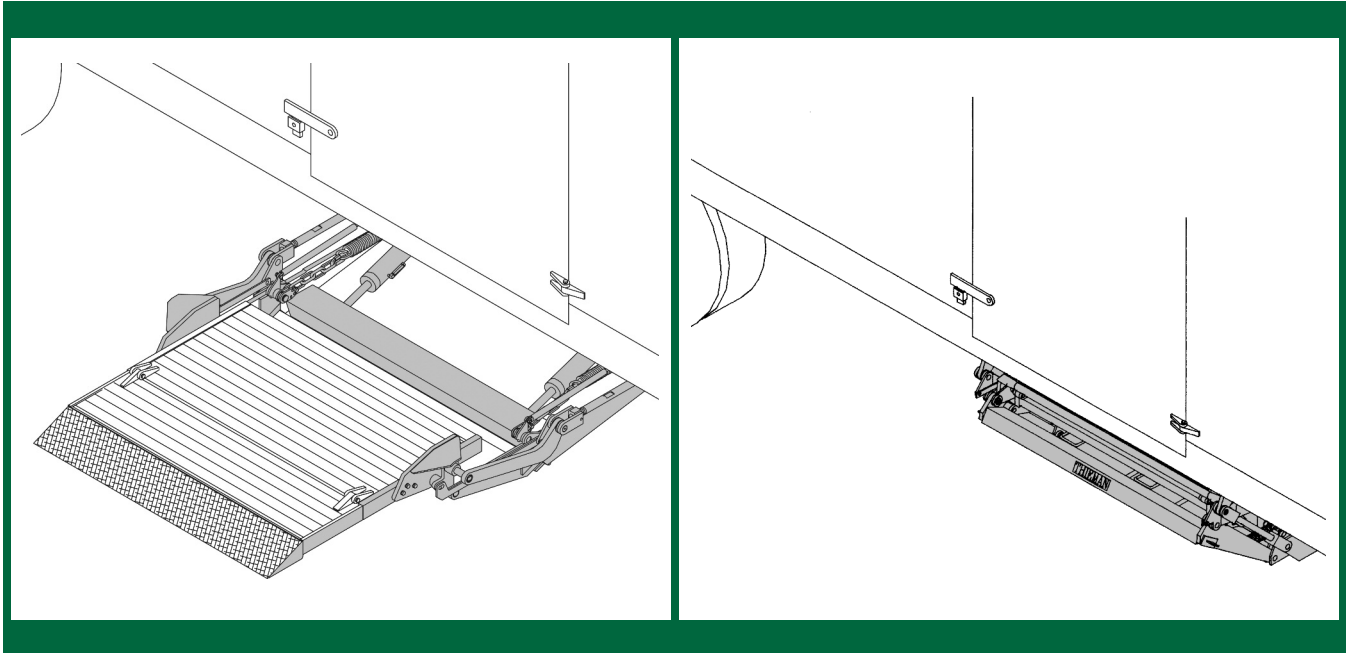
Tailgates By **THIEMAN**

Raising Performance to New Levels

MODEL SL

Platform in Loading/Unloading Position

Platform in Travel Position



FEATURING:

- Meets TMC Electrical Guidelines
- 48" x 36" and 60" x 36" Extruded Aluminum Platform
- 1500 and 2000 lb. Lift Capacities
- Maintenance-Free Bearings
- Dual Folding Assist Springs
- Dual Cylinder Lift
- Up to 10" Rub Rail Clearance
- Sealed Toggle Switch Control
- Power Down Lowering of Platform
- Level Ride Platform

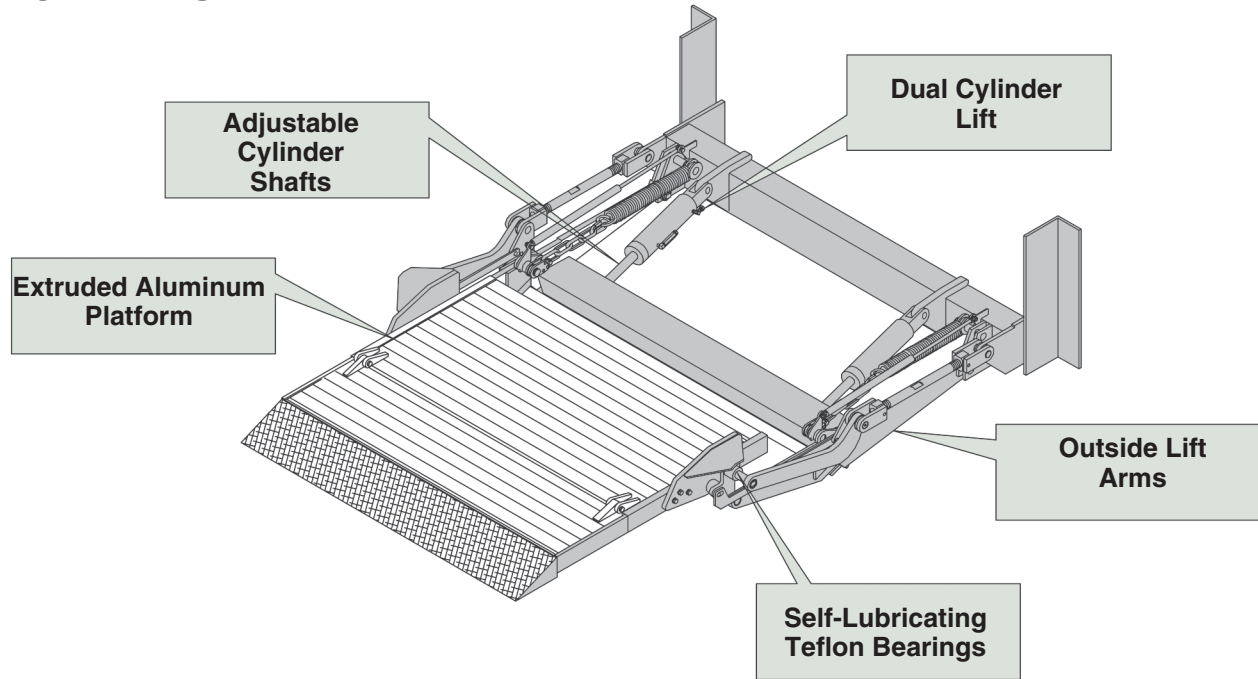
Designed for both truck bodies and trailers, the THIEMAN SL series is the most cost effective side-loading liftgate available.

With the use of a high-strength extruded aluminum platform and teflon composite bushings at major wear points, the THIEMAN sideloader's life expectancy is much longer than other models on the market.

If you're searching for a sideloader that is cost effective, built with strength and durability, and requires minimal maintenance, the THIEMAN SL is your answer.

Features, Benefits and Specifications

MODEL SL



STANDARD FEATURES AND BENEFITS:

- Teflon Composite Bearings Used With Stress-Proof Pins for Virtually Maintenance-Free Operation at Main Pivot Points
- 150 Amp Circuit Breaker for Electrical Protection
- Dual Cylinder Lift for Maximum Stability
- Sealed Toggle Switch Control for Easy, Weather Proof Operation
- Outside Lift Arms for Maximum Platform Stability
- Extruded Aluminum Platform for Long Life, Reduced Weight, and Maximum Strength
- Adjustable Cylinder Shafts for Adjusting Platform Height
- Power Down for Better Cold Weather Operation
- Meets All TMC Guidelines for Reduced Service Requirements

AVAILABLE OPTIONS FOR SL SERIES:

- Remote Pendant Control
- In-Cab Shut Off Switch
- Automatic Cart Stop
- Push Button Control
- PTO Power Source
- Power Unit Enclosure
- Trailer Kits

MODEL NO.	PLATFORM	LOAD CAPACITY	LOWERING	INSTALL WEIGHT	BED HEIGHT RANGE
SL-15 EST-6	48" x 36"+8"	1500 lb.	Power	669 lb.	42" to 52"
SL-20 EST-6	48" x 36"+8"	2000 lb.	Power	674 lb.	42" to 52"
SL-15 EST-6	60" x 36"+8"	1500 lb.	Power	717 lb.	42" to 52"
SL-20 EST-6	60" x 36"+8"	2000 lb.	Power	722 lb.	42" to 52"
SL-15 EST-10	48" x 36"+8"	1500 lb.	Power	682 lb.	48" to 56"
SL-20 EST-10	48" x 36"+8"	2000 lb.	Power	687 lb.	48" to 56"
SL-15 EST-10	60" x 36"+8"	1500 lb.	Power	730 lb.	48" to 56"
SL-20 EST-10	60" x 36"+8"	2000 lb.	Power	735 lb.	48" to 56"

EST-Electric w/ Toggle Switch Control/Power Down
Application: Van Bodies, Stake Bodies, and Trailers

Distributed By:



600 East Wayne Street
Celina, Ohio 45822
Phone: 419-586-7727 or
800-524-5210
Fax: 419-586-9724
www.thiemantailgates.com
info@thiemantailgates.com

THIEMAN Reserves the right to Change Products
Specifications at any time Without Prior Notice.
Printed in U.S.A. Rev. 5/11 • 1M • MP73022