

HIEMAN TAILGATES, INC.

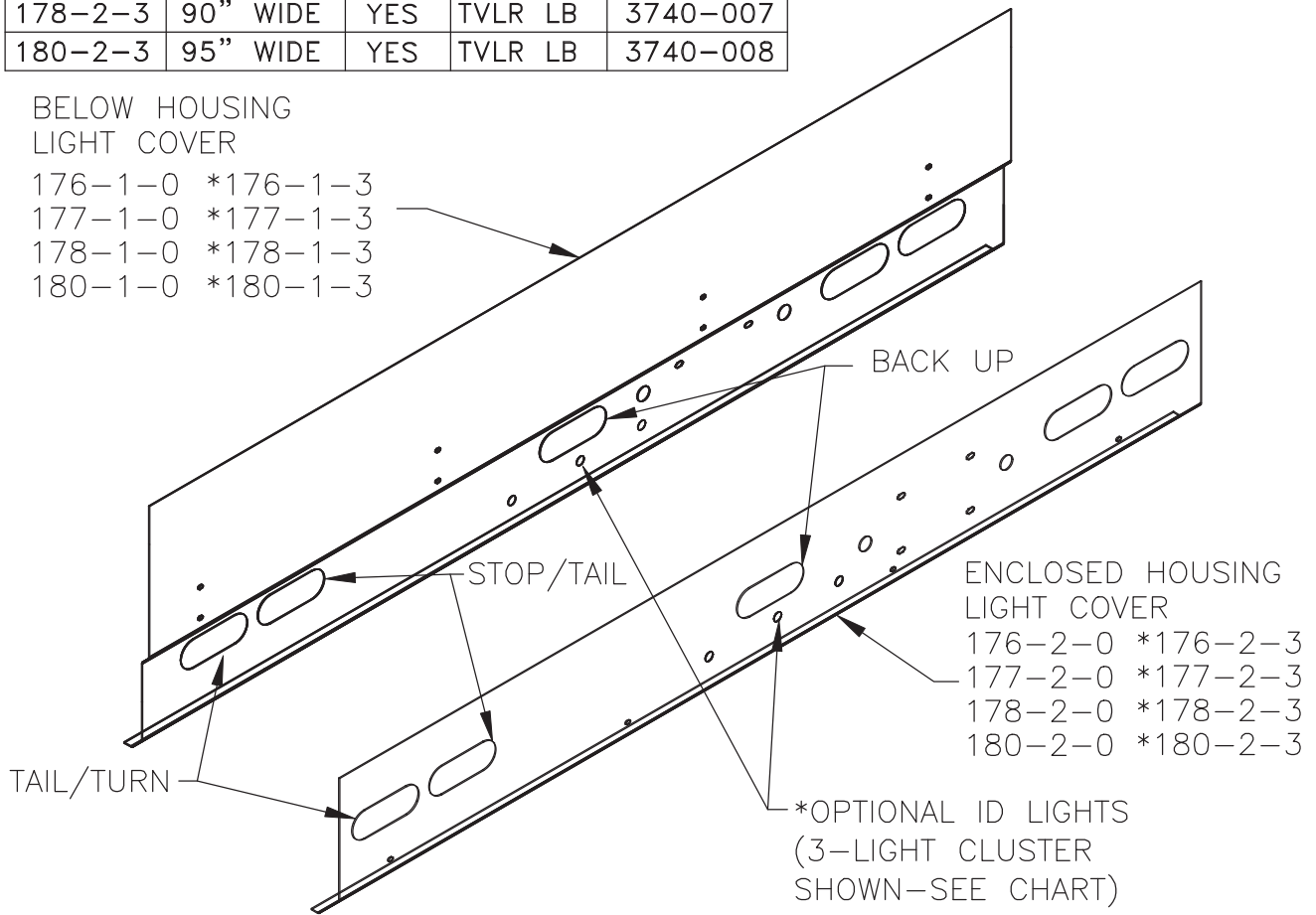
KIT 176 KIT 177 KIT 178 KIT 180

TVLR LED LIGHT KITS SEE CHART/OPTIONAL IDENTIFICATION LIGHTS

KIT NO.	PLATFORM WIDTH	ID LIGHTS	TAILGATE	PART NO.
176-1-0	75" WIDE	NO	TVLR	3710-001
177-1-0	85" WIDE	NO	TVLR	3710-002
178-1-0	90" WIDE	NO	TVLR	3710-003
180-1-0	95" WIDE	NO	TVLR	3710-004
176-2-0	75" WIDE	NO	TVLR LB	31152-001
177-2-0	85" WIDE	NO	TVLR LB	31152-002
178-2-0	90" WIDE	NO	TVLR LB	31152-003
180-2-0	95" WIDE	NO	TVLR LB	31152-004
176-1-3	75" WIDE	YES	TVLR	3740-001
177-1-3	85" WIDE	YES	TVLR	3740-002
178-1-3	90" WIDE	YES	TVLR	3740-003
180-1-3	95" WIDE	YES	TVLR	3740-004
176-2-3	75" WIDE	YES	TVLR LB	3740-005
177-2-3	85" WIDE	YES	TVLR LB	3740-006
178-2-3	90" WIDE	YES	TVLR LB	3740-007
180-2-3	95" WIDE	YES	TVLR LB	3740-008

BELOW HOUSING
LIGHT COVER

- 176-1-0 *176-1-3
- 177-1-0 *177-1-3
- 178-1-0 *178-1-3
- 180-1-0 *180-1-3



NOTE: KIT WORKS WITH BOTH SEPARATE BRAKE AND TURN OR COMBINED BRAKE AND TURN WIRING SYSTEMS. SEE BACK PAGE FOR WIRING PICTORIAL.



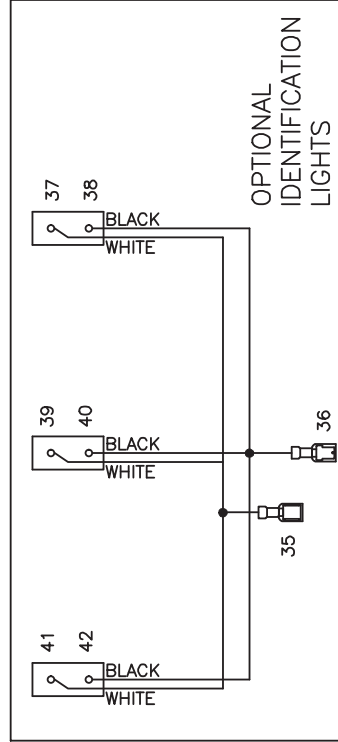
WIRING OPTIONS

*SEPARATE BRAKE AND TURN

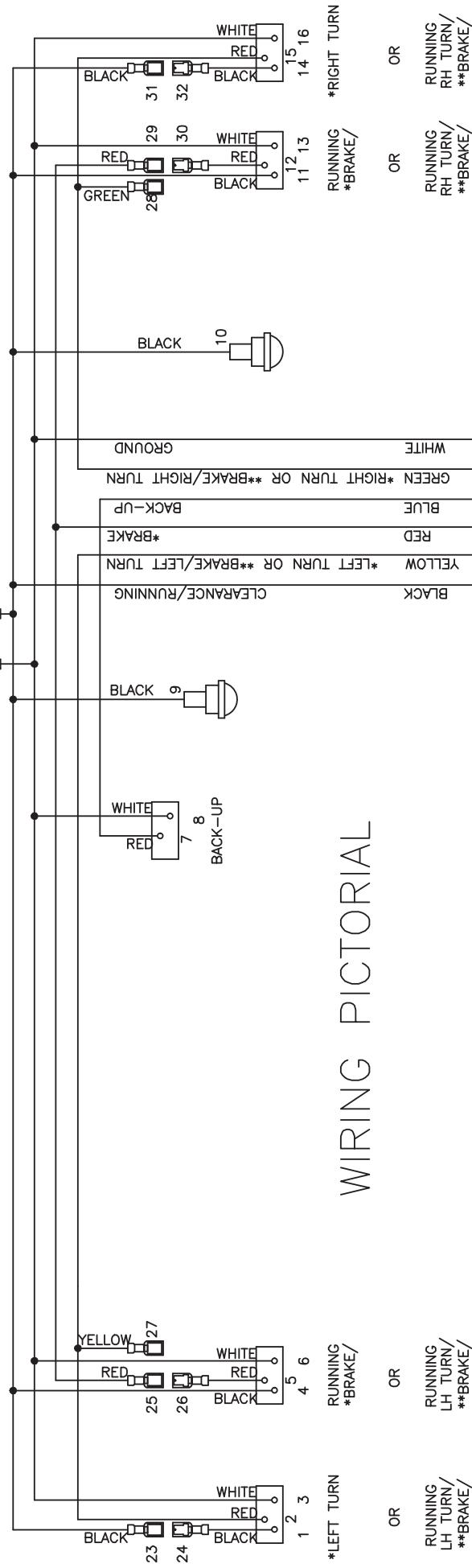
1. RED TURN LIGHTS—THIEMAN STD. CONFIGURATION
REQ'D CONNECTIONS: 23 TO 24, 25 TO 26, 29 TO 30, 31 TO 32 (27, 28—LOOSE)
 2. AMBER TURN LIGHTS—OPTIONAL CONFIGURATION
REQ'D CONNECTIONS: 25 TO 26, 29 TO 30 (23, 24, 27, 28, 31, 32—LOOSE)
- **COMBINED BRAKE AND TURN—OPTIONAL CONFIGURATION
REQ'D CONNECTIONS: 23 TO 24, 26 TO 27, 28 TO 30, 31 TO 32 (25, 29—LOOSE)

OPTIONAL IDENTIFICATION LIGHTS

REQ'D CONNECTIONS: 33 TO 35, 34 TO 36



OPTIONAL IDENTIFICATION LIGHTS



WIRING PICTORIAL

